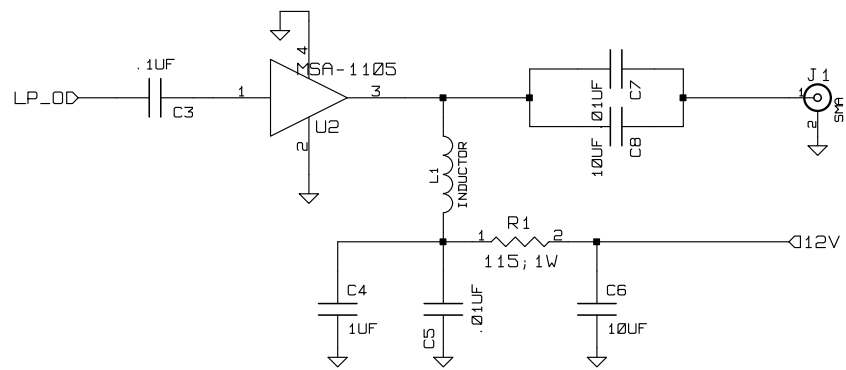
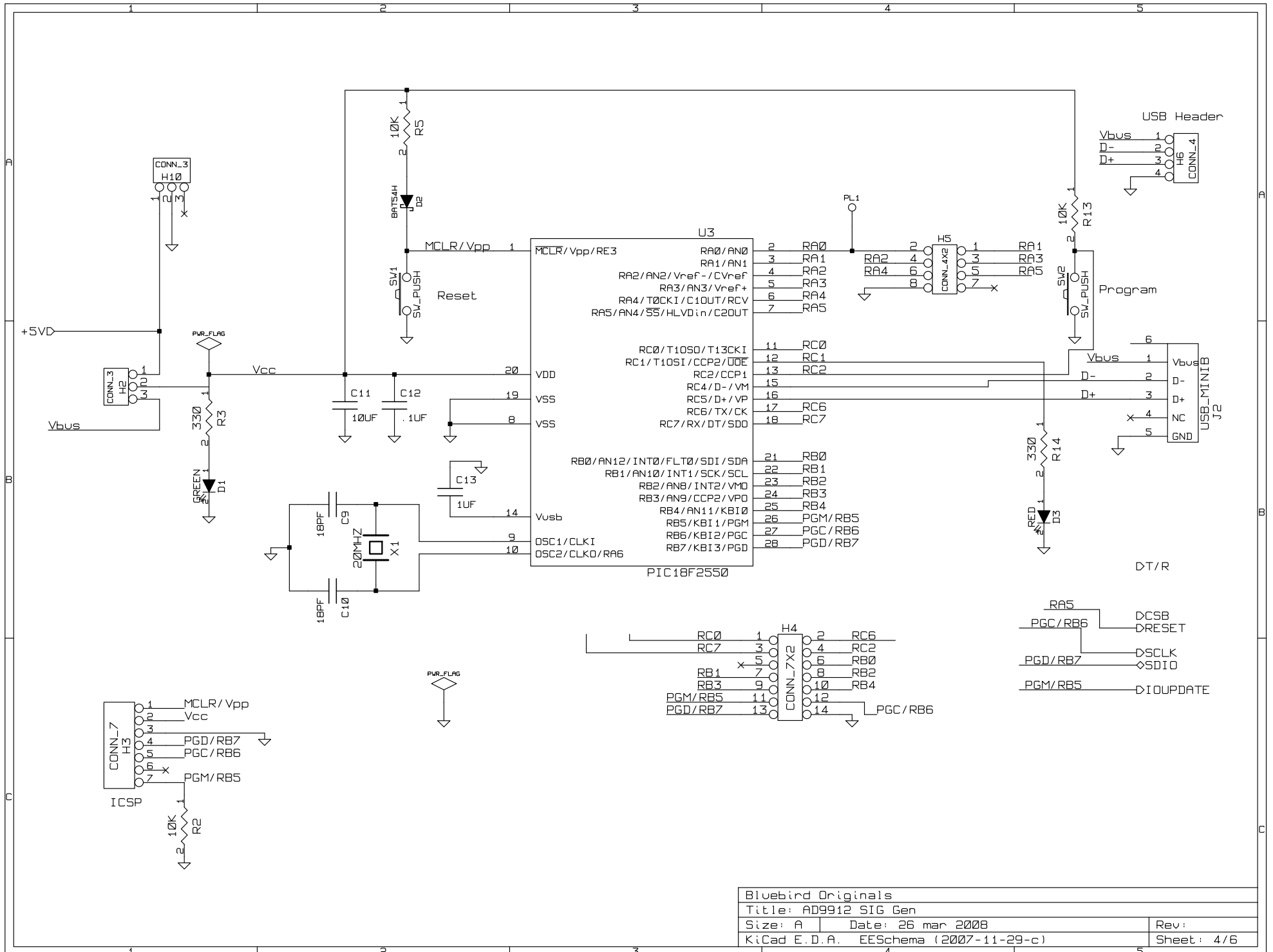
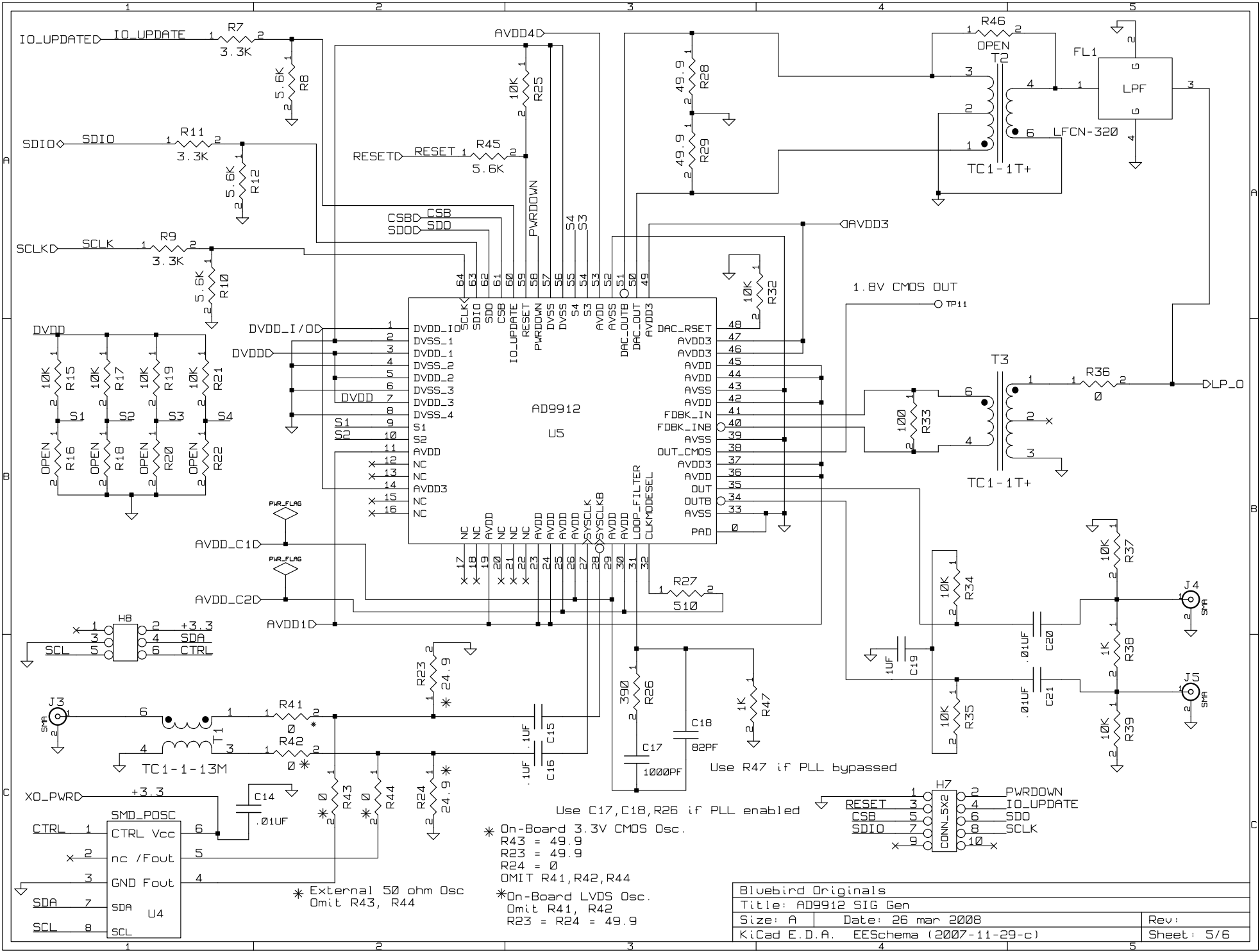


| | | |
|--------------------------------------|-------------------|------------|
| Bypass Caps for AD9912 | | |
| Bluebird Originals | | |
| Title: AD9912 | | |
| Size: A | Date: 26 mar 2008 | Rev: |
| KiCad E.D.A. EESchema (2007-11-29-c) | | Sheet: 2/6 |



| | | | |
|--------------------------------------|-------------------|------------|--|
| MMIC | | | |
| Bluebird Originals | | | |
| Title: AD9912 | | | |
| Size: A | Date: 26 mar 2008 | Rev: | |
| KiCad E.D.A. EESchema (2007-11-29-c) | | Sheet: 3/6 | |





* On-Board 3.3V CMOS Osc.
 R43 = 49.9
 R23 = 49.9
 R24 = 0
 OMIT R41, R42, R44

* External 50 ohm Osc
 Omit R43, R44

* On-Board LVDS Osc.
 Omit R41, R42
 R23 = R24 = 49.9

Use C17, C18, R26 if PLL enabled

Use R47 if PLL bypassed

| | |
|-----------------------|-------------------------|
| Bluebird Originals | |
| Title: AD9912 SIG Gen | |
| Size: A | Date: 26 mar 2008 |
| KiCad E. D. A. | EESchema (2007-11-29-c) |
| Rev: | Sheet: 5/6 |

