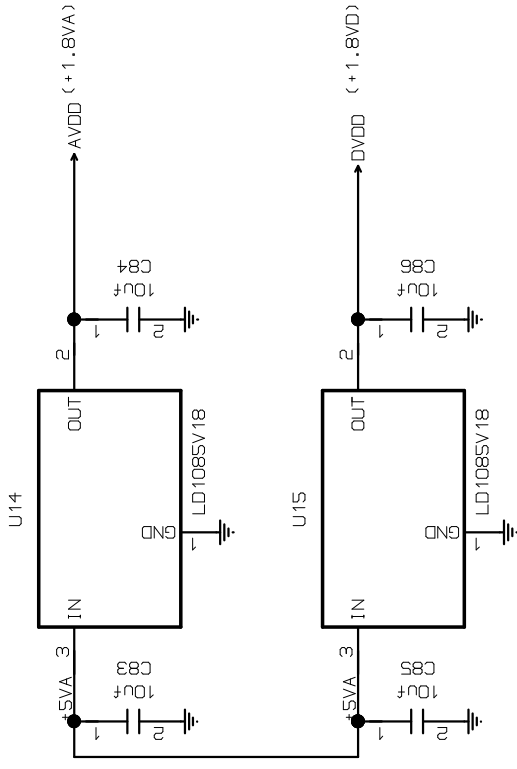


File: e:\bluebird_originals_projects\9958\schematics\dds.sch
Title: AMS
Sheet: AD9958
Drawn: David A. Brainerd
Engineer: David A. Brainerd
Approved:
No: 1 Rev: 1.0
Created: 23-OCT-2005 22:13
Changed: 3-JUN-2006 20:53



AMS

File: e:\bluebird_originals_projects\9958\schematics\dds.sch

Title:

Sheet: Power Supply

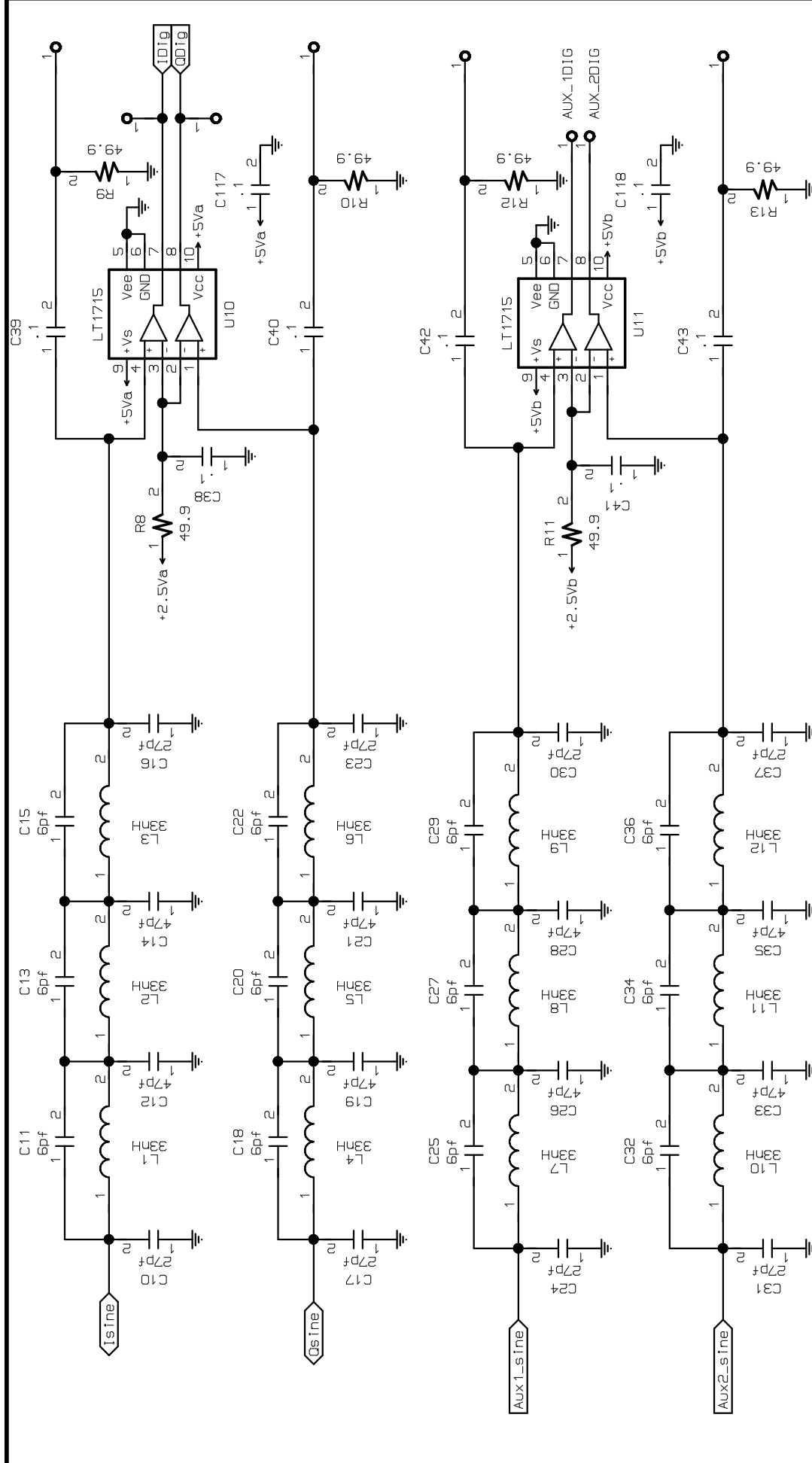
No: 2 Rev: 1.0

Drawn: David A. Brainerd

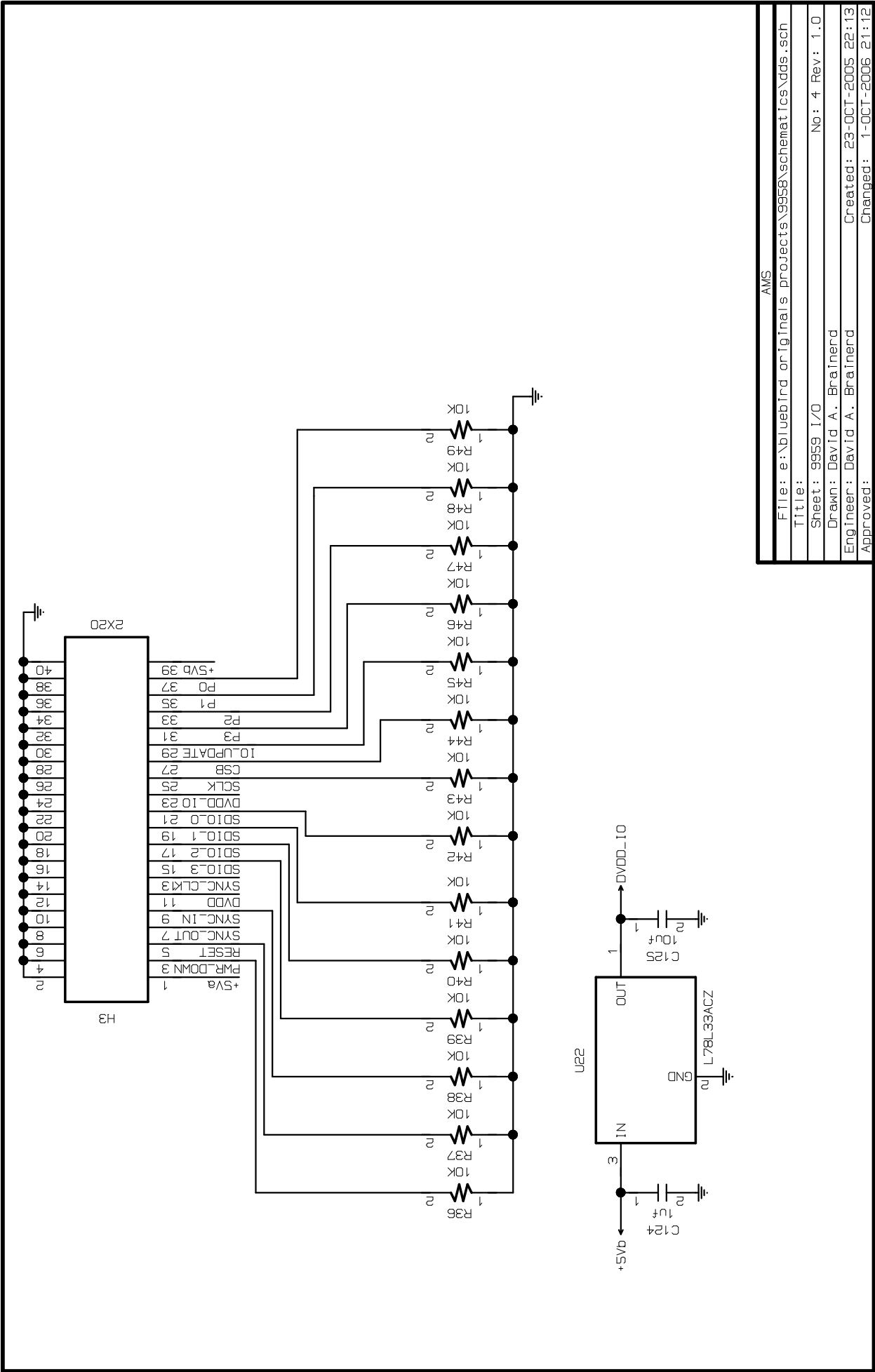
Engineer: David A. Brainerd

Created: 23-OCT-2005 22:13

Approved: 1-OCT-2006 21:32



AMS	
File: e:\bluebird_originals_projects\9958\schematics\dds.sch	
Title: Filters	No: 3 Rev: 1.0
Drawn: David A. Brainerd	
Engineer: David A. Brainerd	
Created: 23-OCT-2005 22:13	
Approved: 20-NOV-2005 21:41	



AMS	
File: e:\bluebird_originals_projects\9958\schematics\dds.sch	
Title:	Sheet: 9959 I/O
No: 4 Rev: 1.0	
Drawn: David A. Brainerd	
Engineer: David A. Brainerd	
Created: 23-OCT-2005 22:13	
Approved: 1-OCT-2006 21:12	