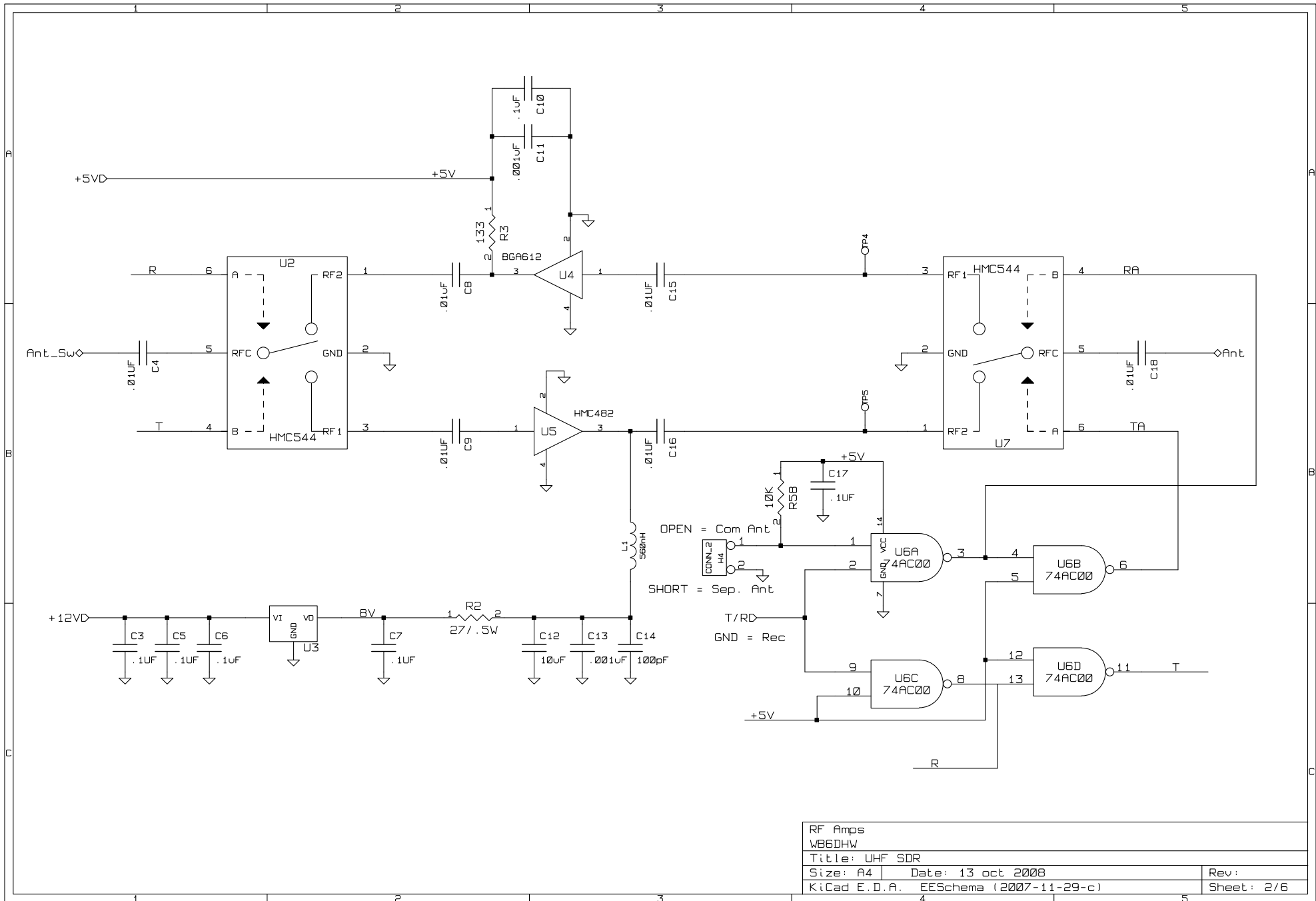
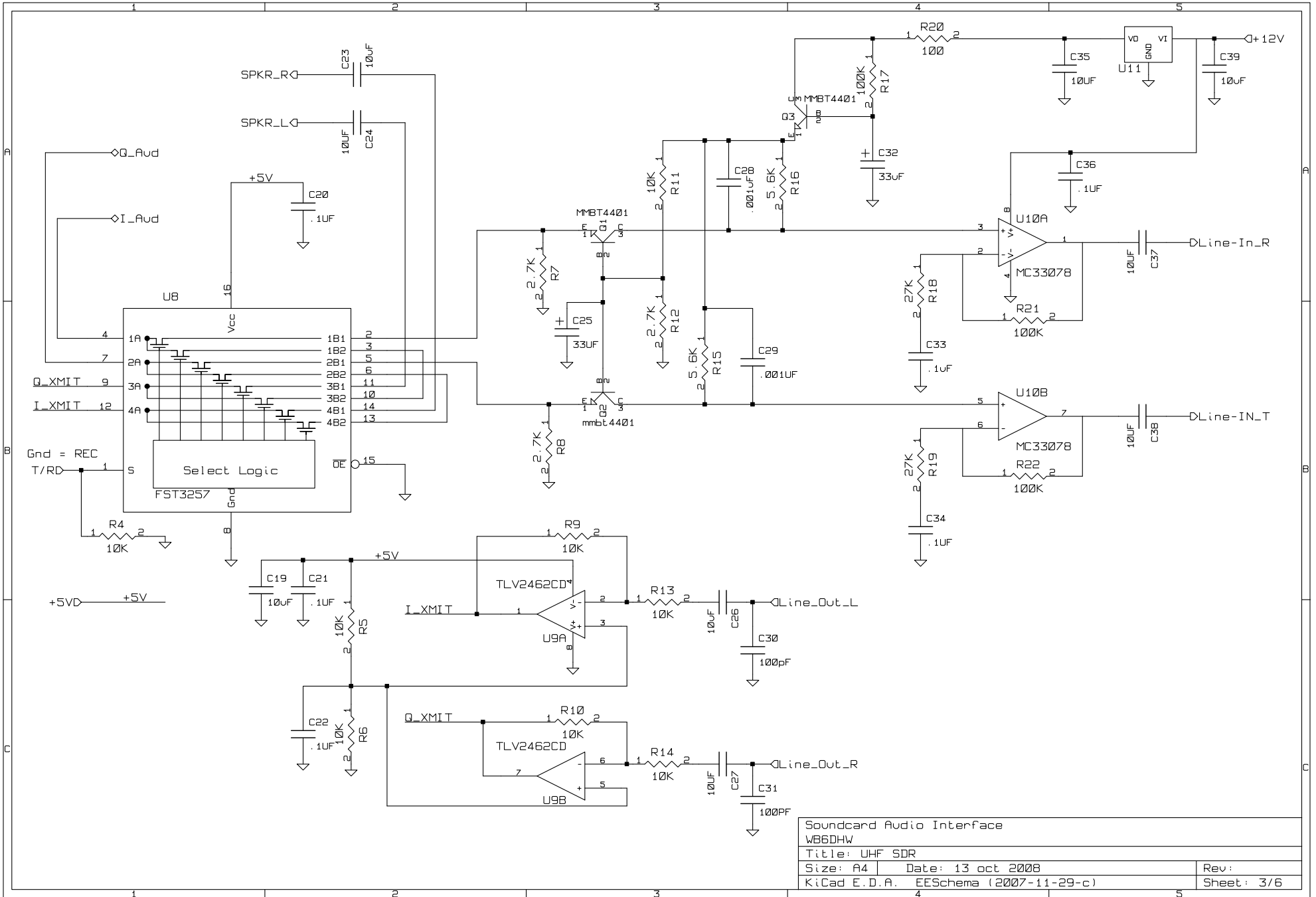
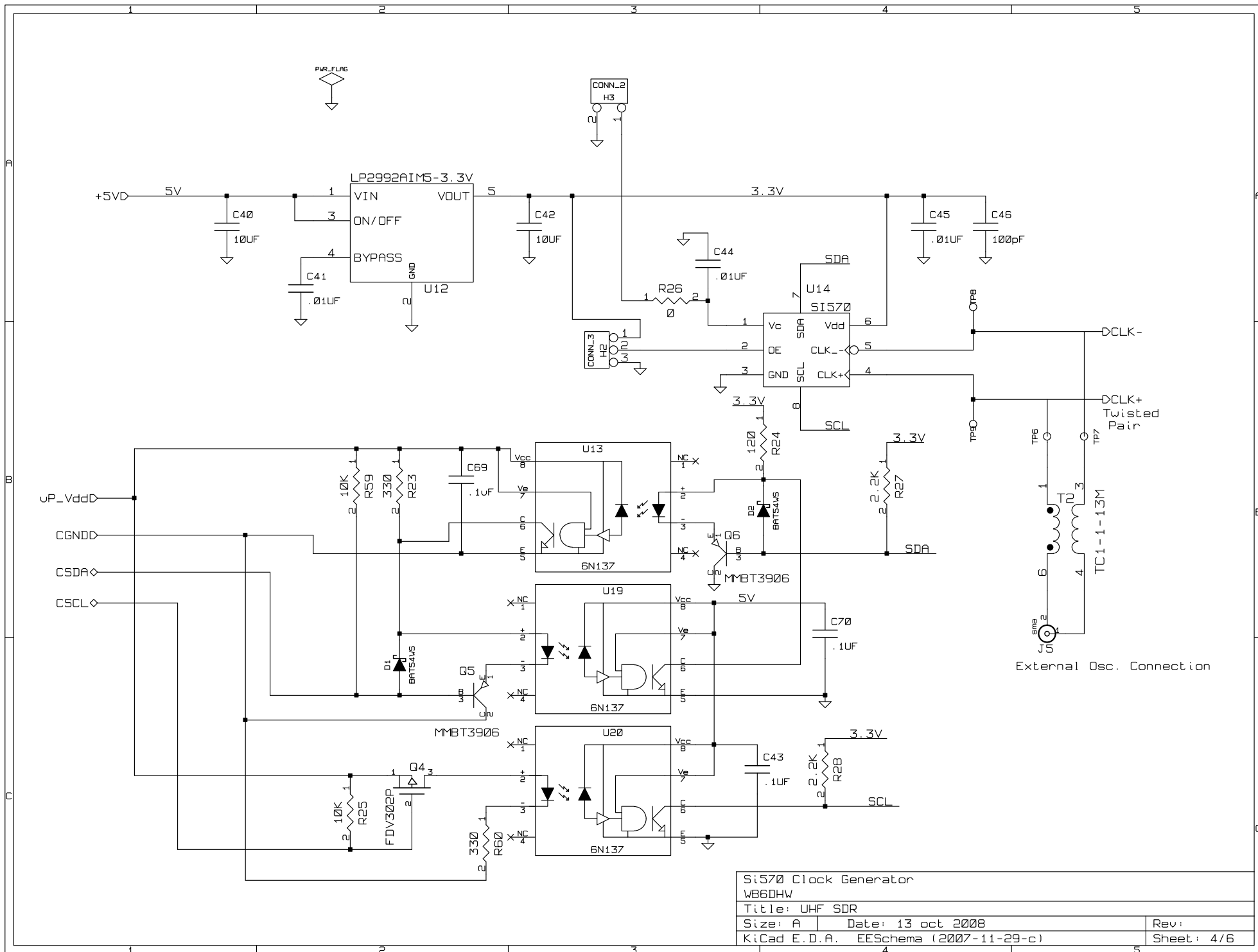


WB6DHW	
Title: UHF SDR	
Size: A4	Date: 13 oct 2008
KiCad E.D.A.	EESchema (2007-11-29-c)
	Rev: 1/6

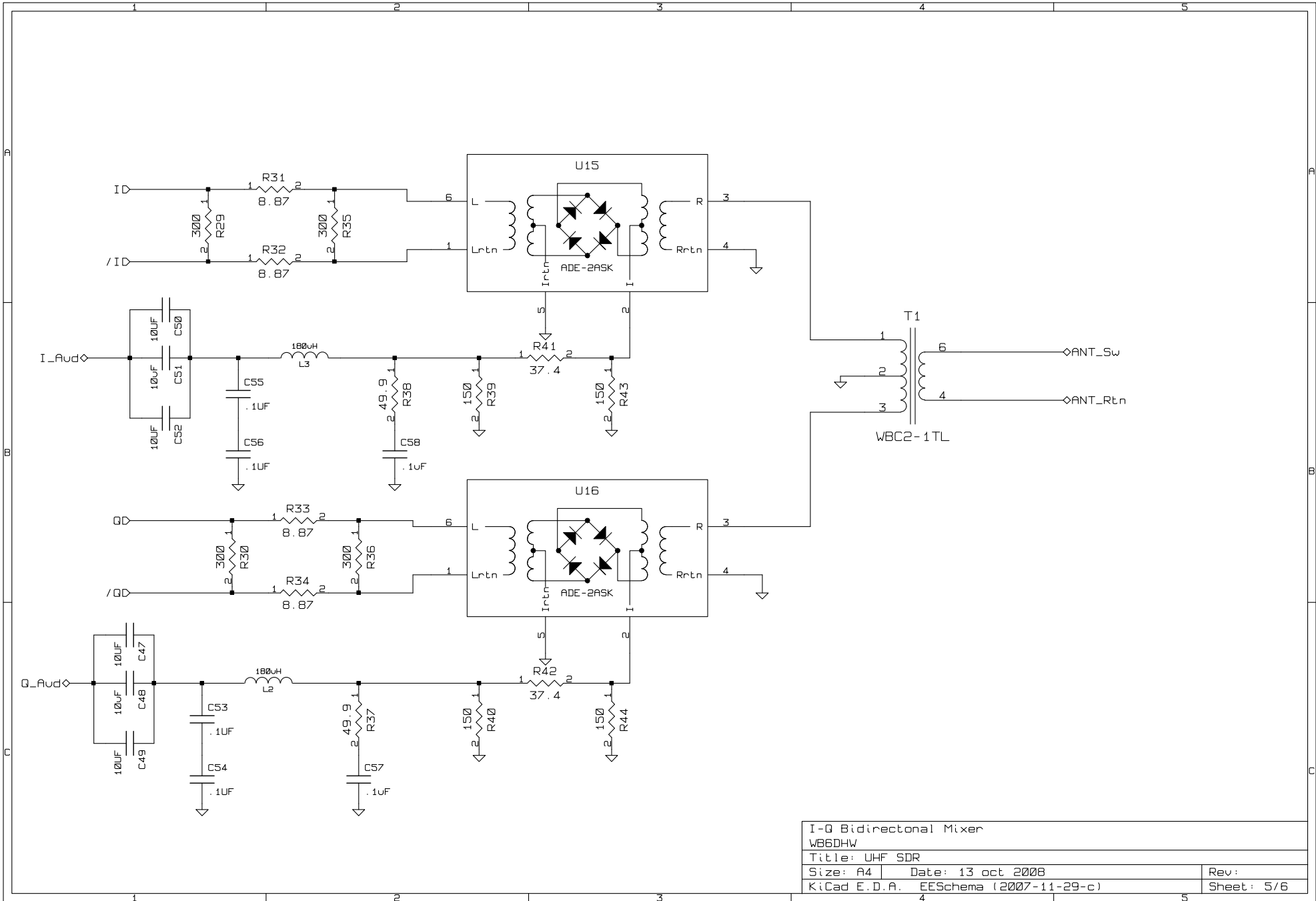




Soundcard Audio Interface	
WB6DHW	
Title: UHF SDR	
Size: A4	Date: 13 oct 2008
KiCad E.D.A. EESchema (2007-11-29-c)	
Rev:	Sheet: 3/6



Si570 Clock Generator		Rev:
WB6DHW		Sheet: 4/6
Title: UHF SDR		
Size: A	Date: 13 oct 2008	
KiCad E.D.A. EESchema (2007-11-29-c)		



I-Q Bidirectional Mixer		
WB6DHW		
Title: UHF SDR		
Size: A4	Date: 13 oct 2008	Rev:
KiCad E.D.A. EESchema (2007-11-29-c)		Sheet: 5/6

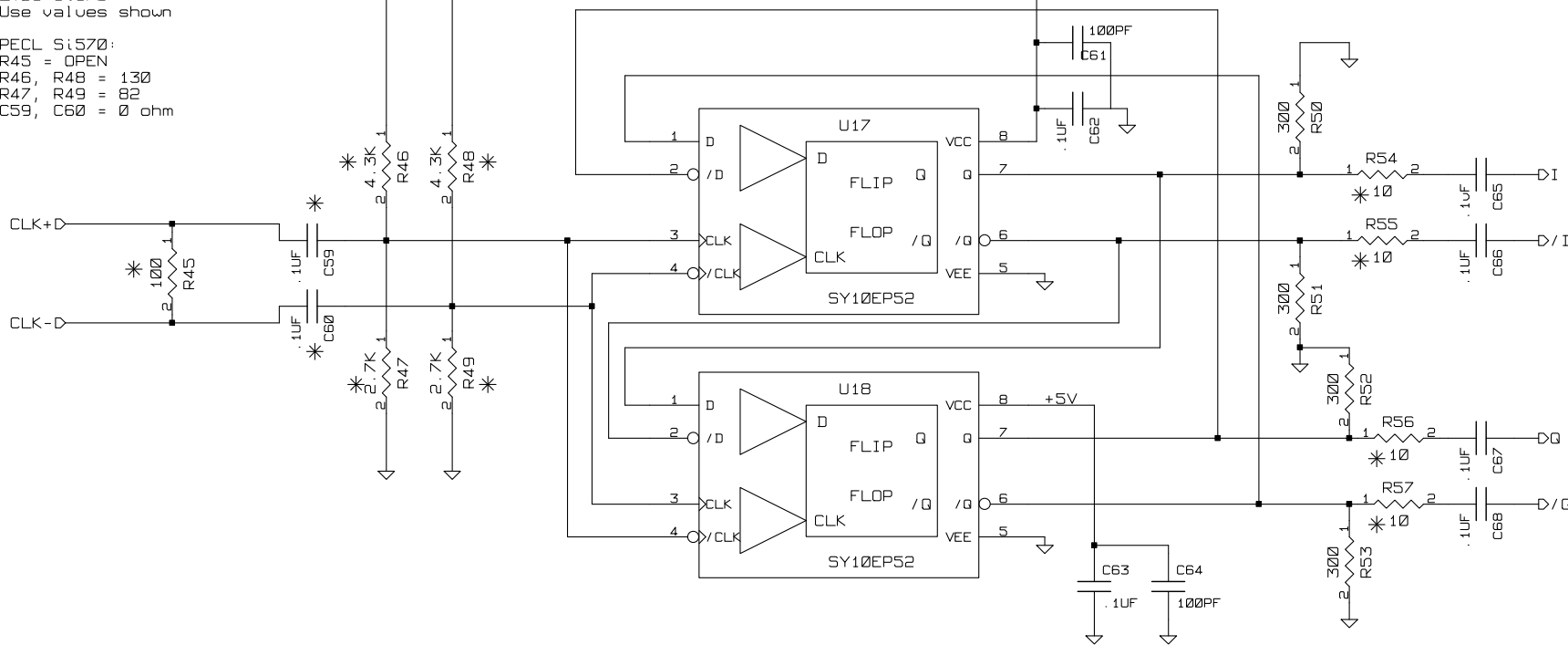
+5V

+5V

LVDS Si570:  
Use values shown

PECL Si570:  
R45 = OPEN  
R46, R48 = 130  
R47, R49 = 82  
C59, C60 = 0 ohm

\* Pick for best match to DBM



UHF I-Q Generator		Rev:	
WB6DHW		Sheet: 6/6	
Title: UHF SDR			
Size: A4	Date: 13 oct 2008		
KiCad E.D.A. EESchema (2007-11-29-c)			