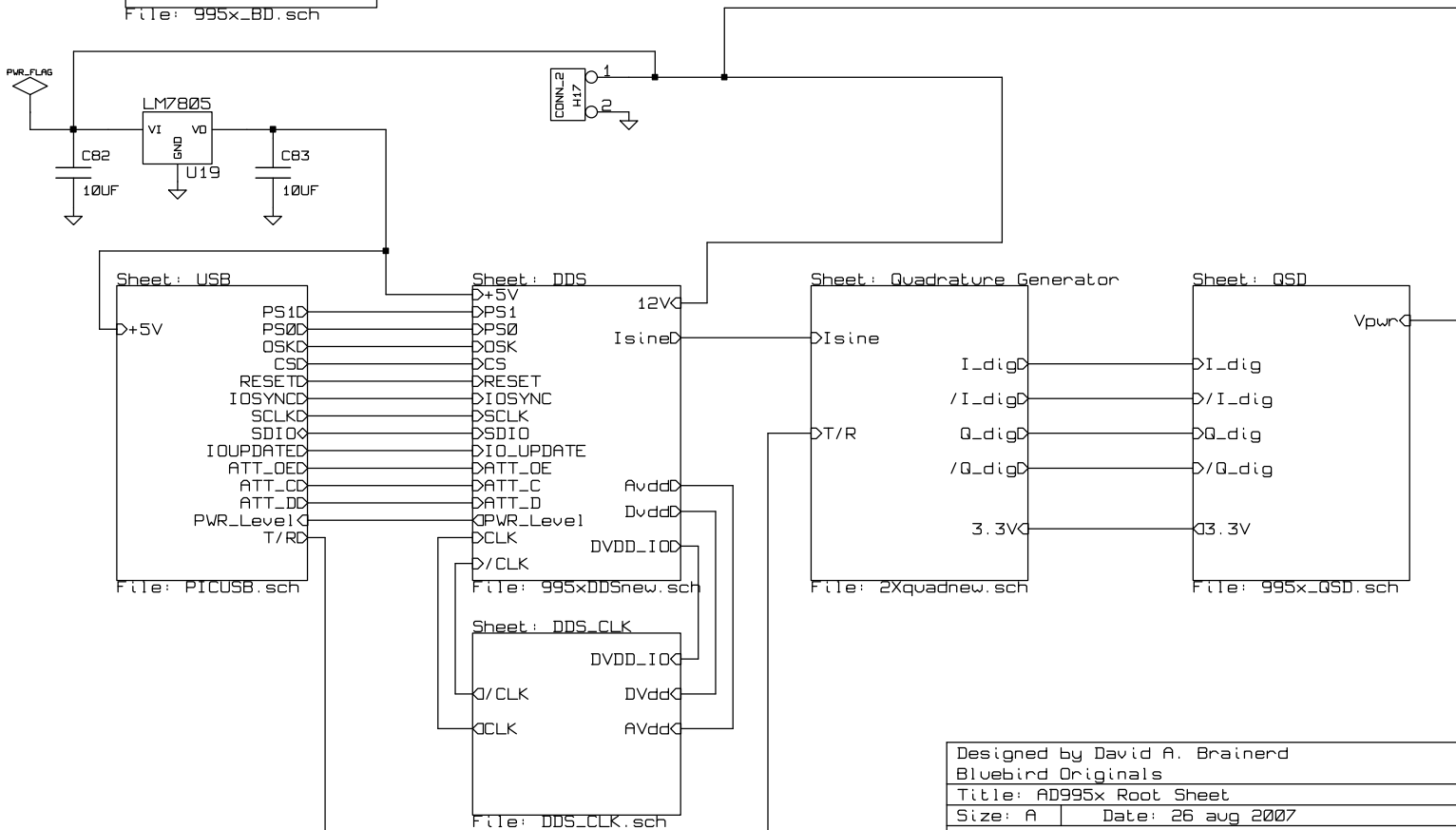
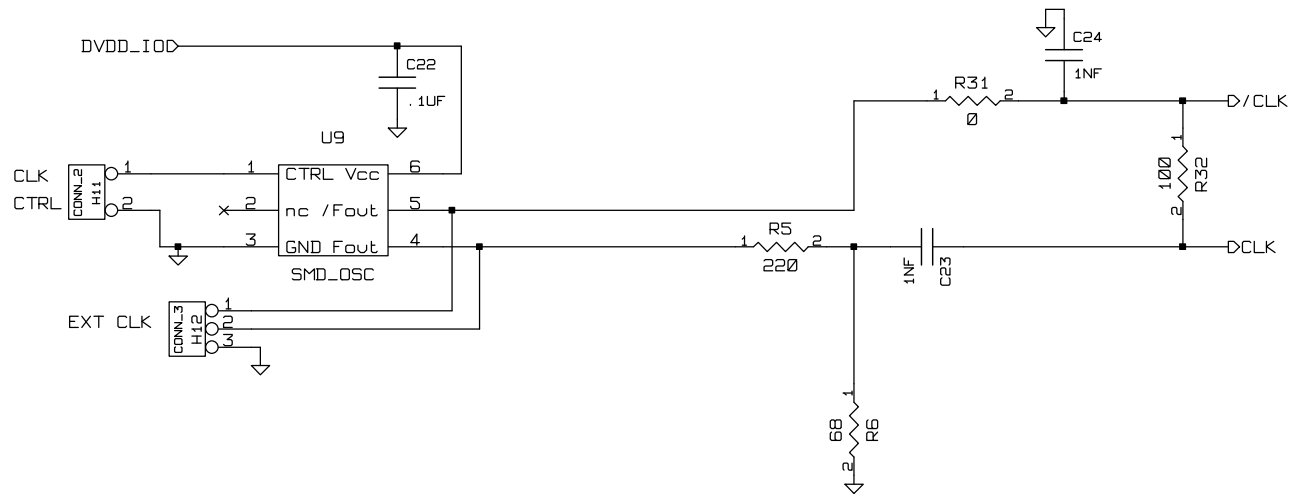


Sheet: Block Diagram

File: 995x_BD.sch



Designed by David A. Brainerd		Bluebird Originals	
Title: AD995x Root Sheet			
Size: A	Date: 26 aug 2007	Rev:	
KiCad E.D.A. EESchema (2007-08-19)		Sheet: 1/7	



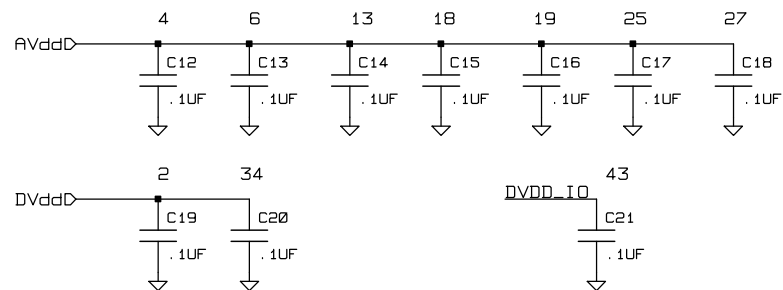
CLOCK OPTIONS:

CMOS OSC: Put 1nF from /CLK to GND., Omit R31,R32

The 220 and 68 ohm resistors are for a 3.3V clock. Change as required for other amplitudes.

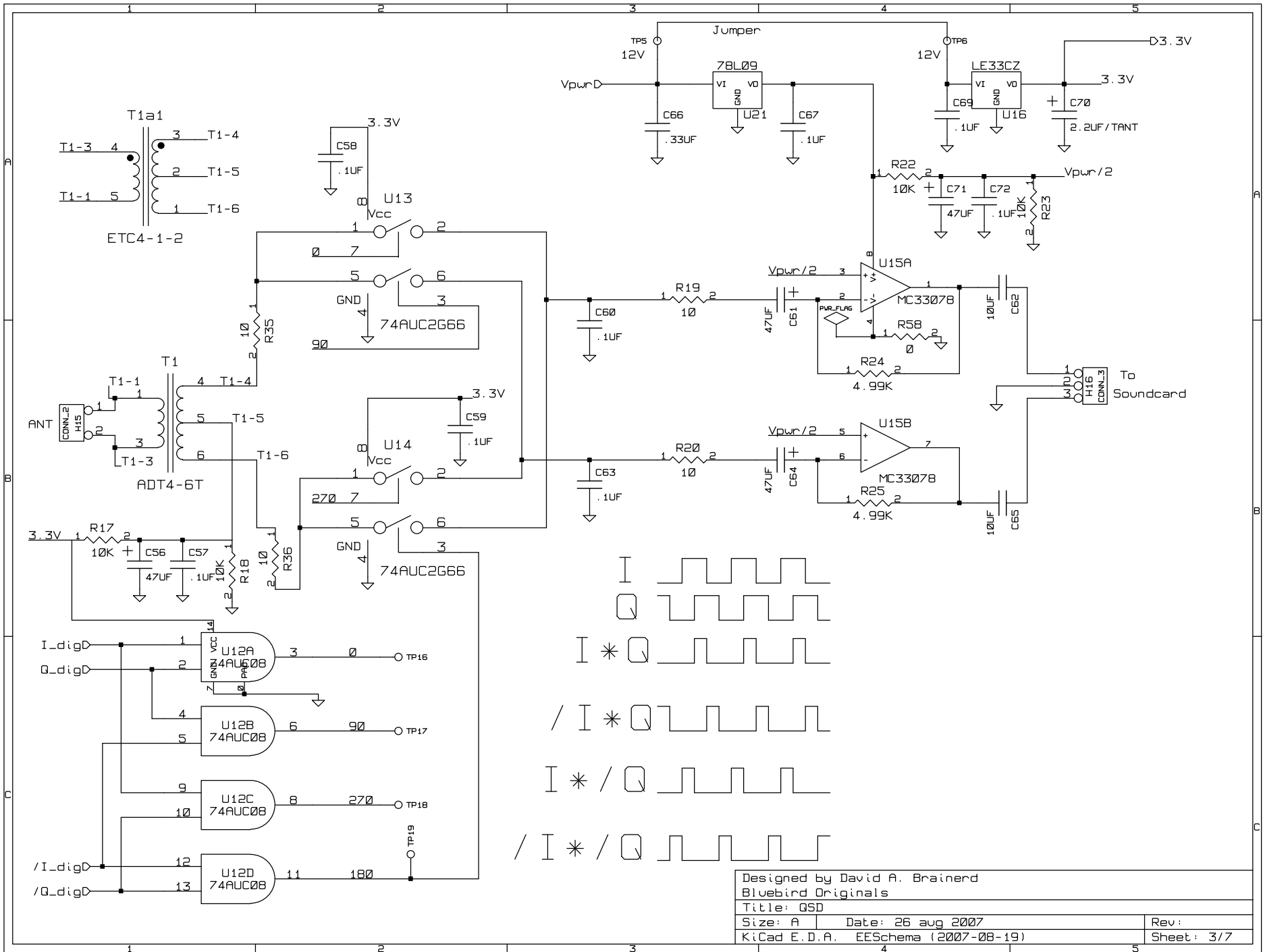
LVDS OSC Replace R5 with 0ohm, delete R6, Replace C23 with 0ohm, delete C24

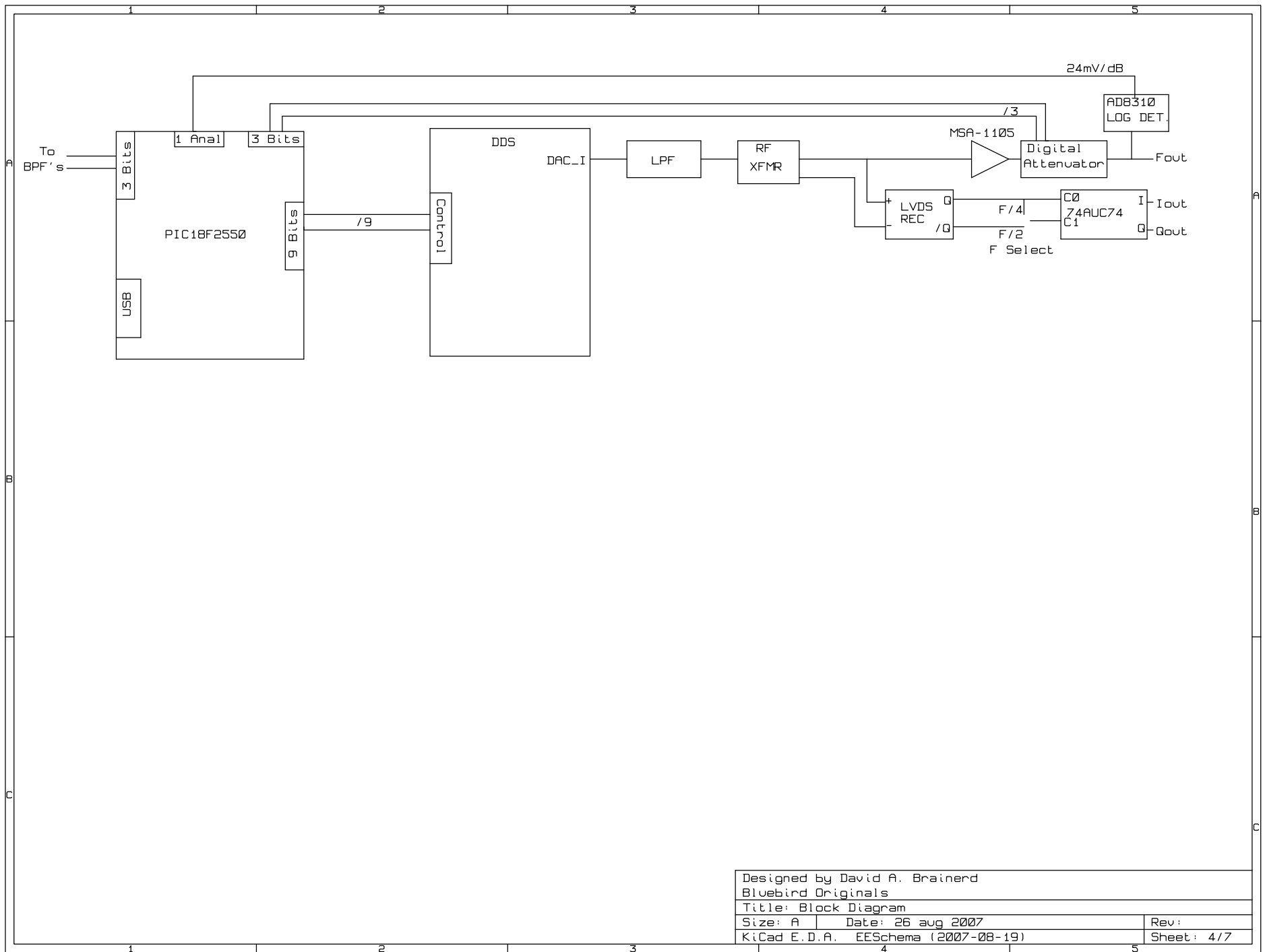
EXT OSC: Omit SMD_OSC (or disable from pin 1), If single-ended put 1nF from /CLK to GND, adjust 220 and 68 for proper amplitude. Omit R31.



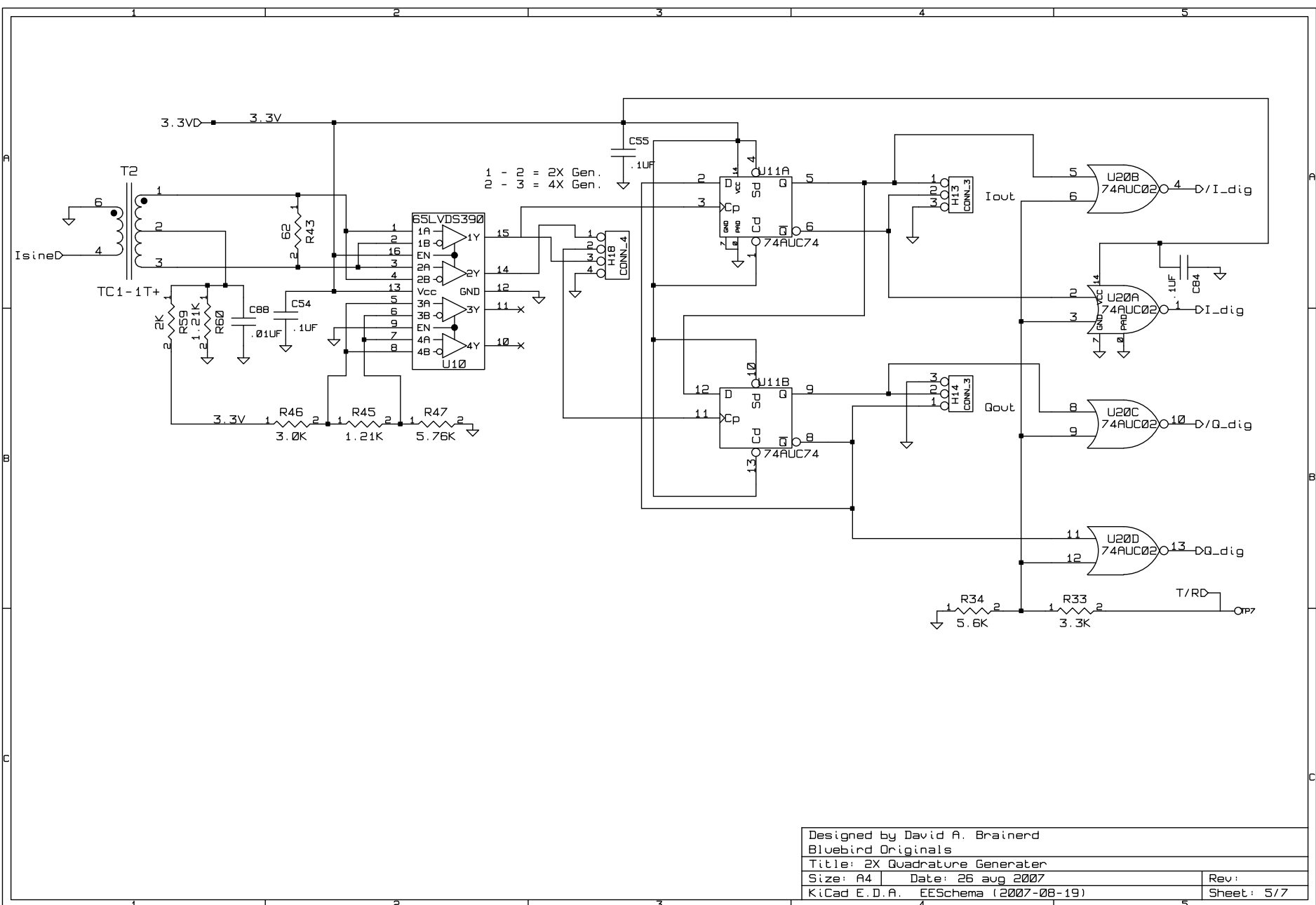
DDS Chip Power Bypass Caps

Designed by David A. Brainerd	
Bluebird Originals	
Title: DDS Clock Circuit	
Size: A	Date: 26 aug 2007
KiCad E.D.A. EESchema (2007-08-19)	
Rev:	Sheet: 2/7

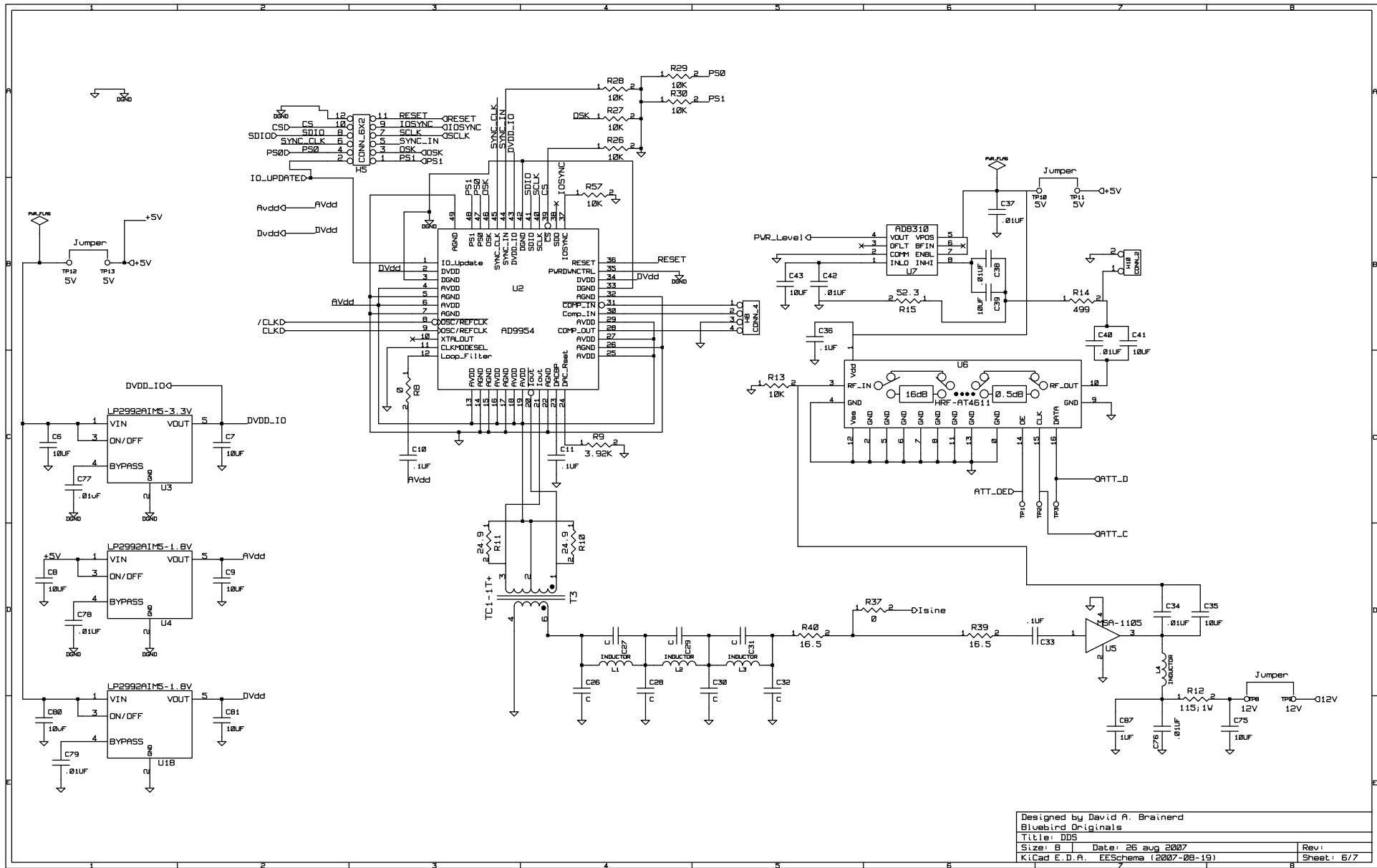




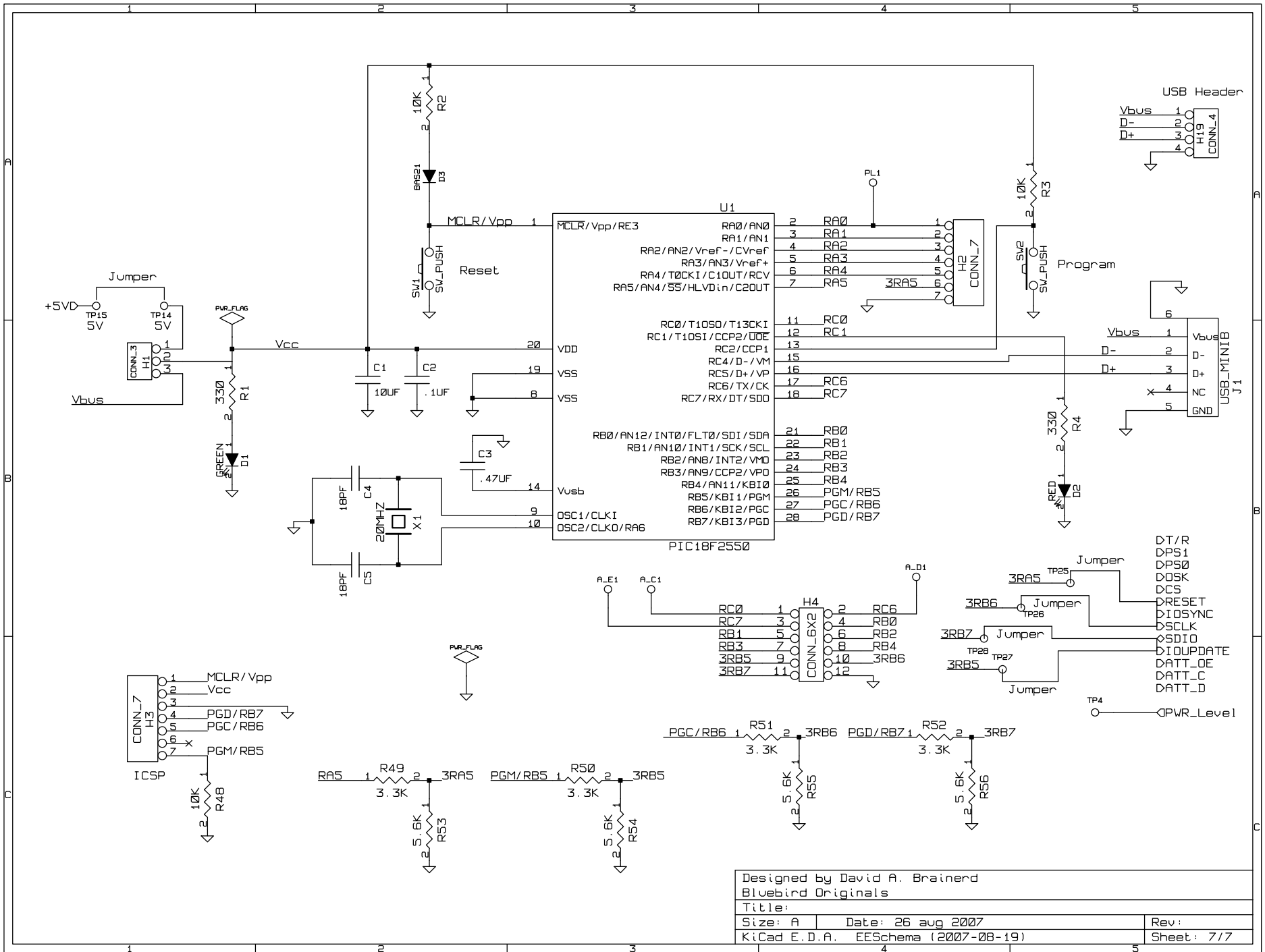
Designed by David A. Brainerd	
Bluebird Originals	
Title: Block Diagram	
Size: A	Date: 26 aug 2007
KiCad E.D.A. EESchema (2007-08-19)	
Rev:	Sheet: 4/7



Designed by David A. Brainerd	
Bluebird Originals	
Title: 2X Quadrature Generator	
Size: A4	Date: 26 aug 2007
KiCad E.D.A.	EESchema (2007-08-19)
Rev:	Sheet: 5/7



Designed by David A. Brainerd
 Bluebird Originals
 Title: DDS
 Size: B | Date: 26 aug 2007 | Rev:
 KiCad E. D. A. EESchema (2007-08-19) | Sheet: 6/7



Designed by David A. Brainerd
 Bluebird Originals
 Title:
 Size: A Date: 26 aug 2007 Rev:
 KiCad E.D.A. EESchema (2007-08-19) Sheet: 7/7