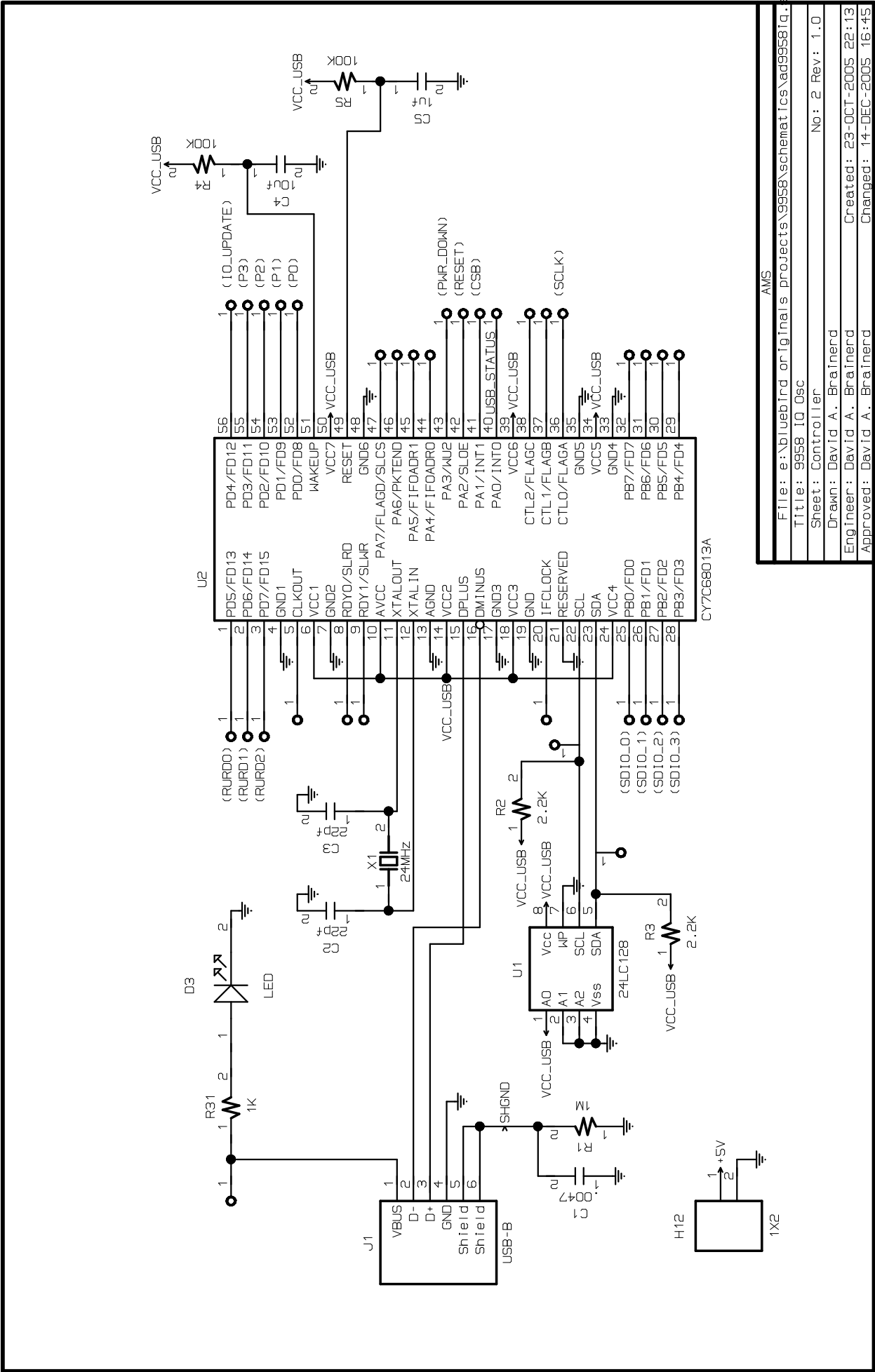


AMS
File: e:\bluebird_originals_projects\9958\schematics\ad9958iq.sch
Title: 9958 IQ Osc
Sheet: AD9958
Drawn: David A. Brainerd
Engineer: David A. Brainerd
Approved: David A. Brainerd
No: 1 Rev: 1.0
Created: 23-OCT-2005 22:13
Changed: 3-JUN-2006 20:53



AMS

File: e:\bluebird_originals_projects\9958\schematics\ad9958Iq.sch

Title: 9958 IQ Osc

Sheet: Controller

Drawn: David A. Brainerd

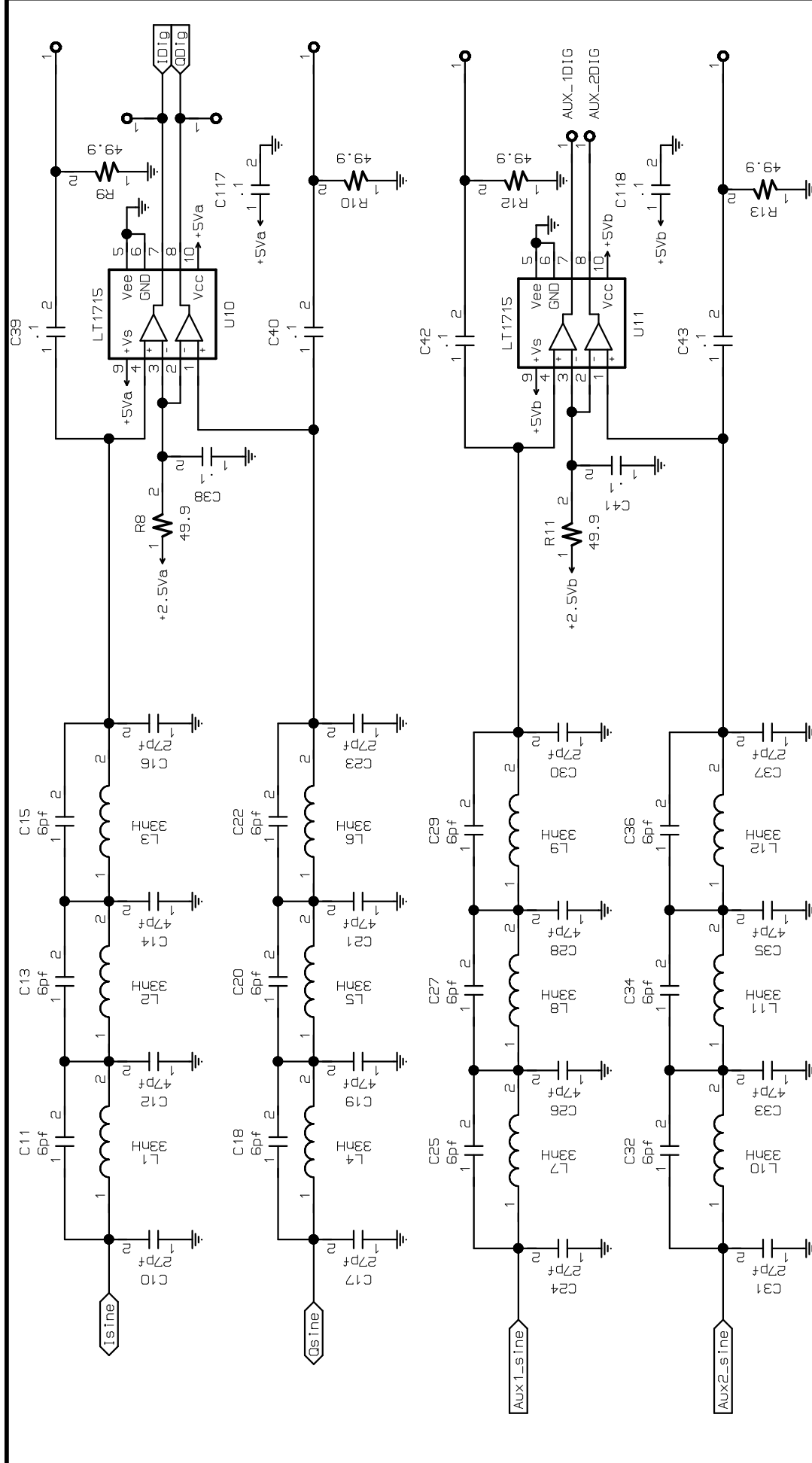
Engineer: David A. Brainerd

Approved: David A. Brainerd

No: 2 Rev: 1.0

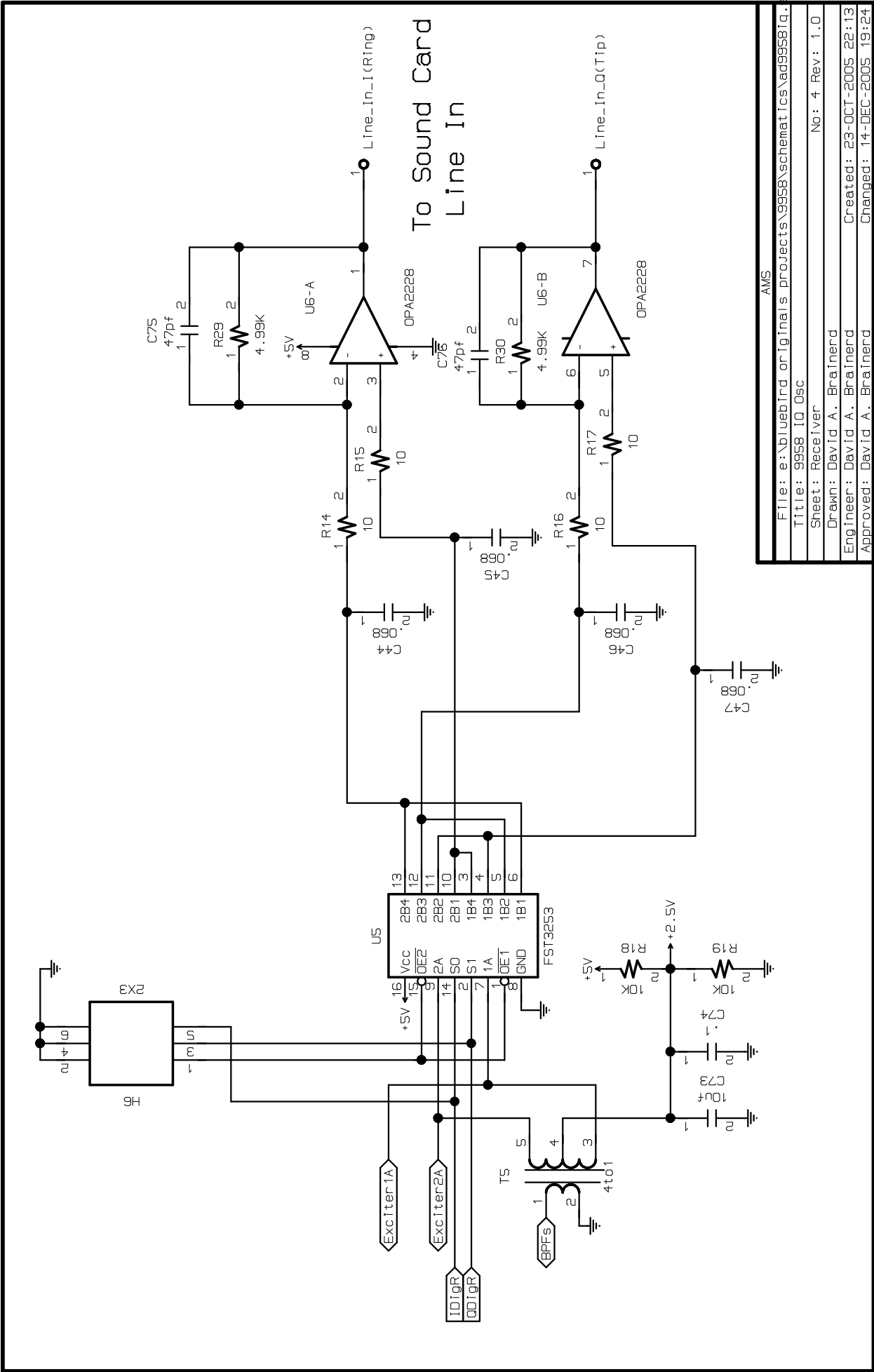
Created: 23-OCT-2005 22:13

Changed: 14-DEC-2005 16:45



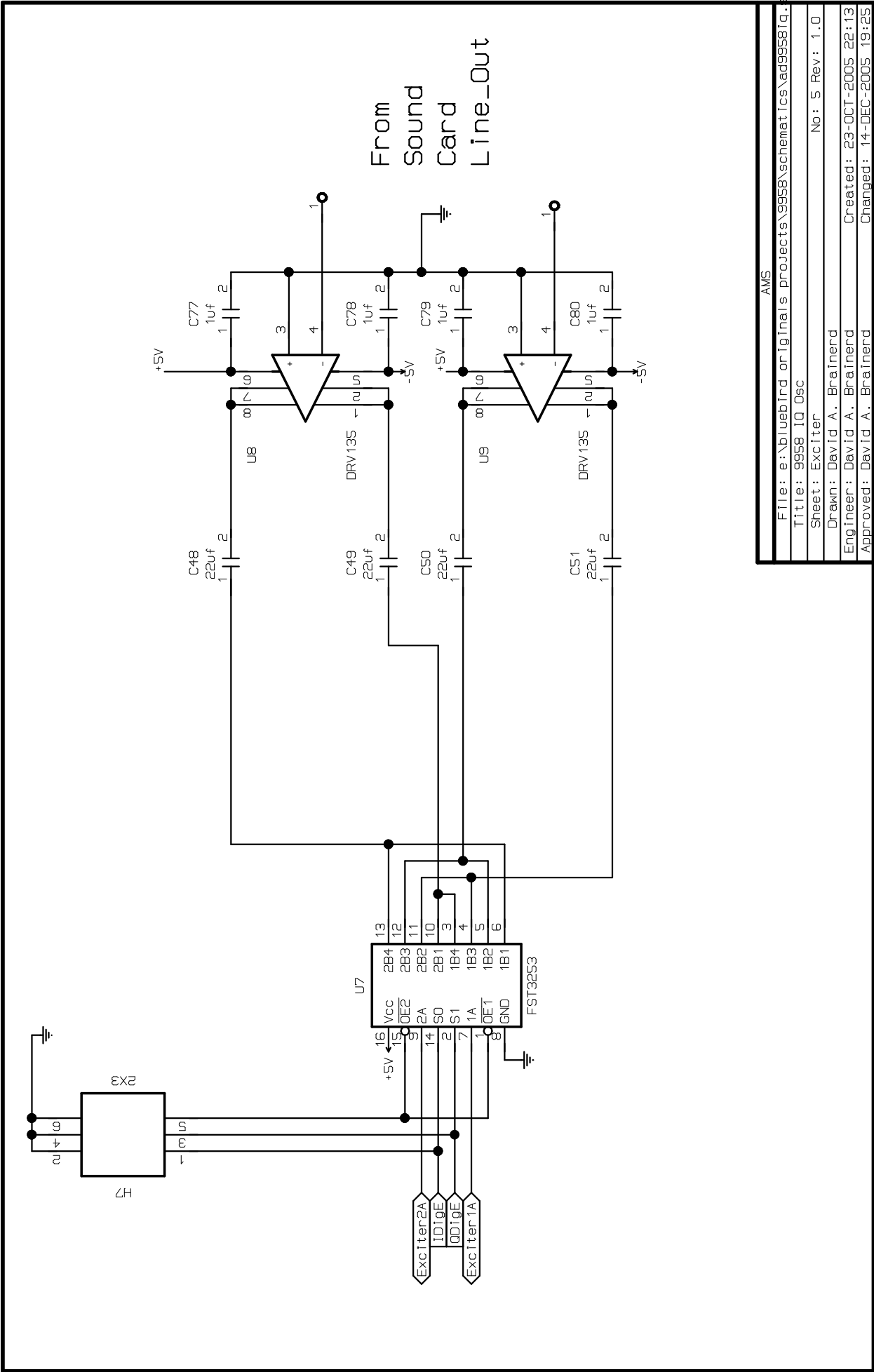
AMS

File: e:\bluebird_originals_projects\9958\schematics\ad9958iq_1.sch
Title: 9958 IQ Osc
Sheet: Filters
Drawn: David A. Brainerd
Engineer: David A. Brainerd
Approved: David A. Brainerd
No: 3 Rev: 1.0
Created: 23-OCT-2005 22:13
Changed: 20-NOV-2005 21:41



To Sound Card
Line In

AMS
File: e:\bluebird_originals_projects\9958\schematics\ad9958Iq_1.sch
Title: 9958 IQ Osc
Sheet: Receiver
Drawn: David A. Brainerd
Engineer: David A. Brainerd
Approved: David A. Brainerd
No: 4 Rev: 1.0
Created: 23-OCT-2005 22:13
Changed: 14-DEC-2005 19:24



AMS

File: e:\bluebird_originals_projects\9958\schematics\ad9958Iq1.sch

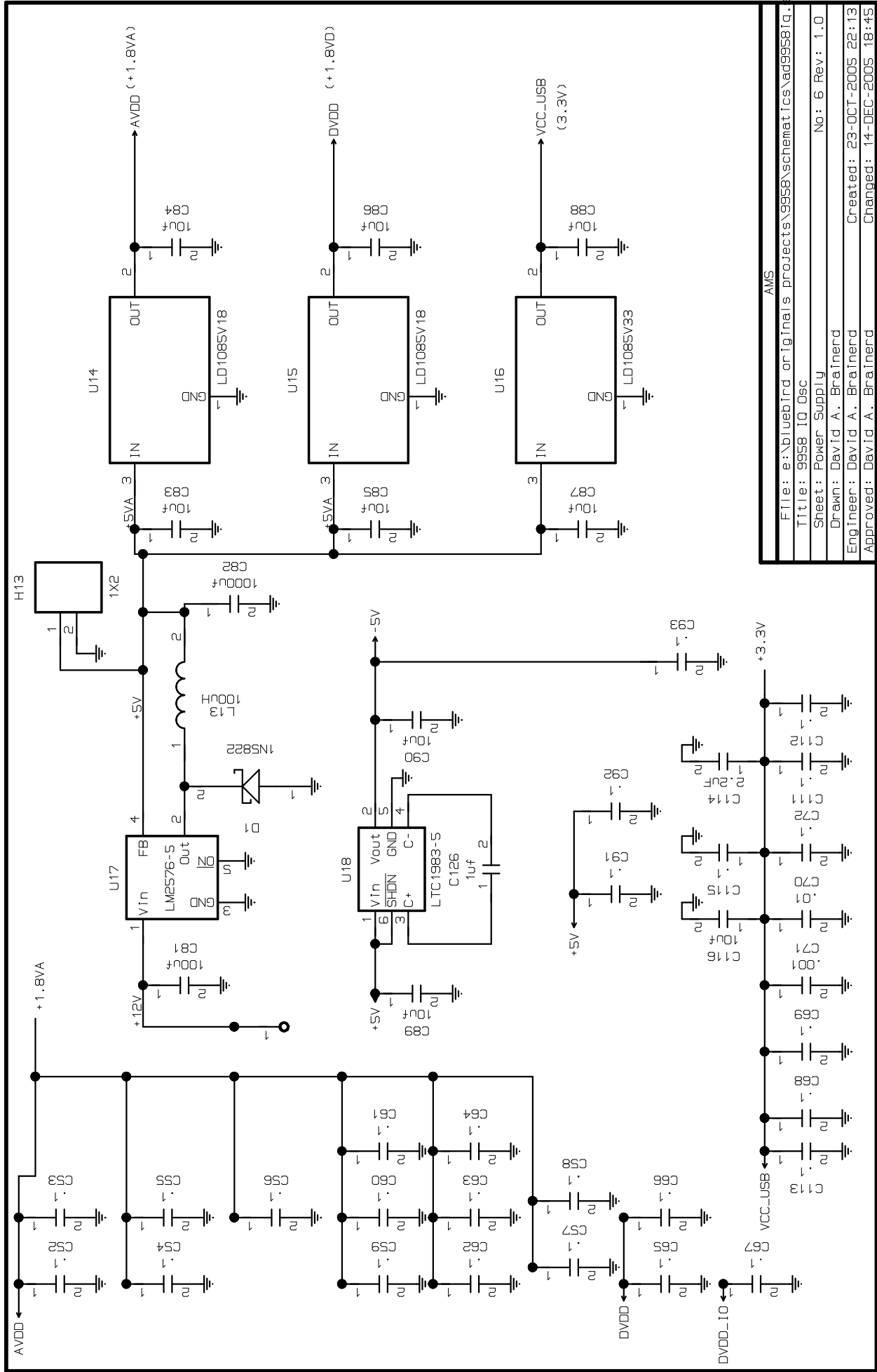
Title: 9958 IQ Osc

Sheet: Exciter No: 5 Rev: 1.0

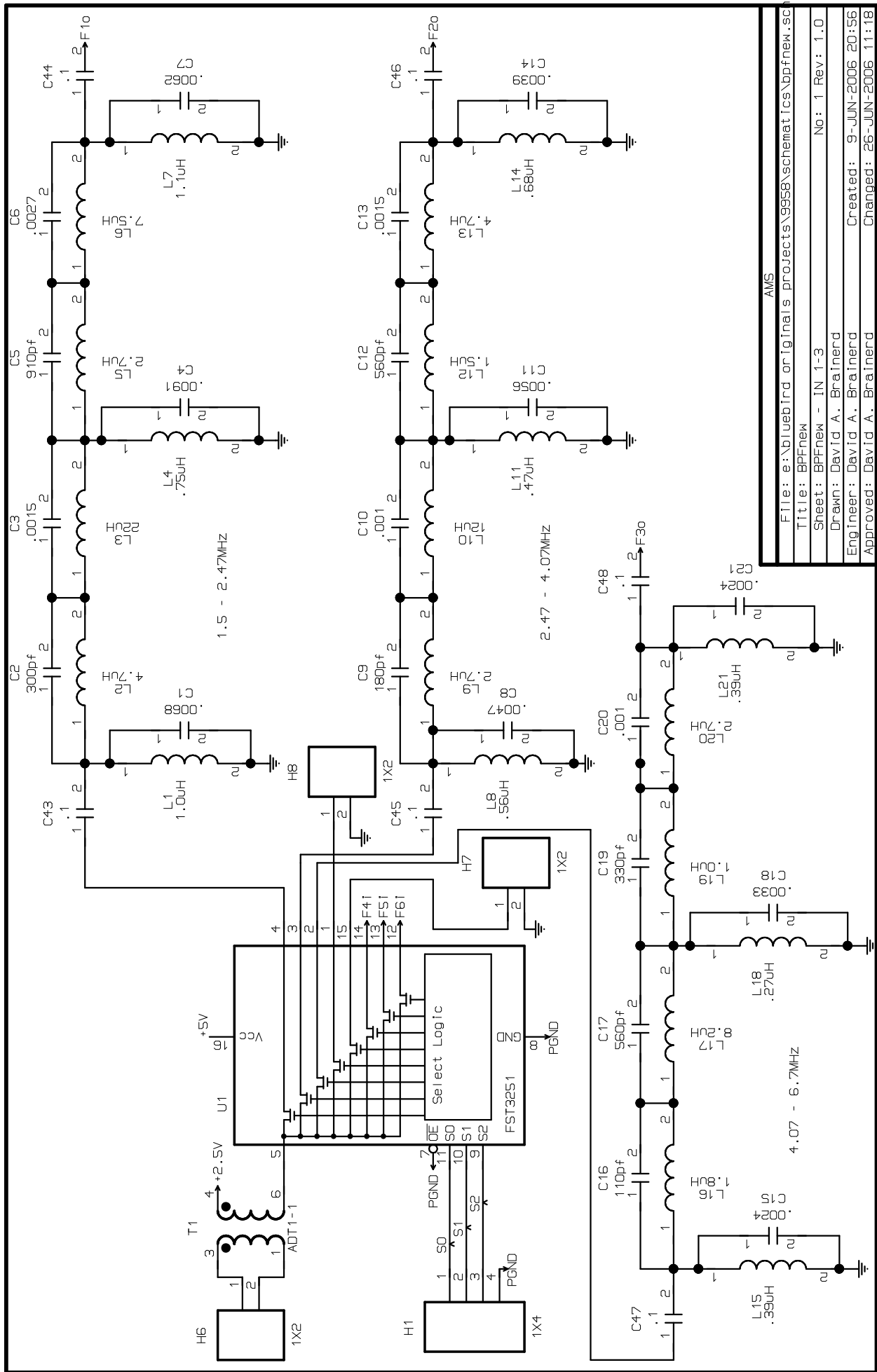
Drawn: David A. Brainerd

Engineer: David A. Brainerd Created: 23-OCT-2005 22:13

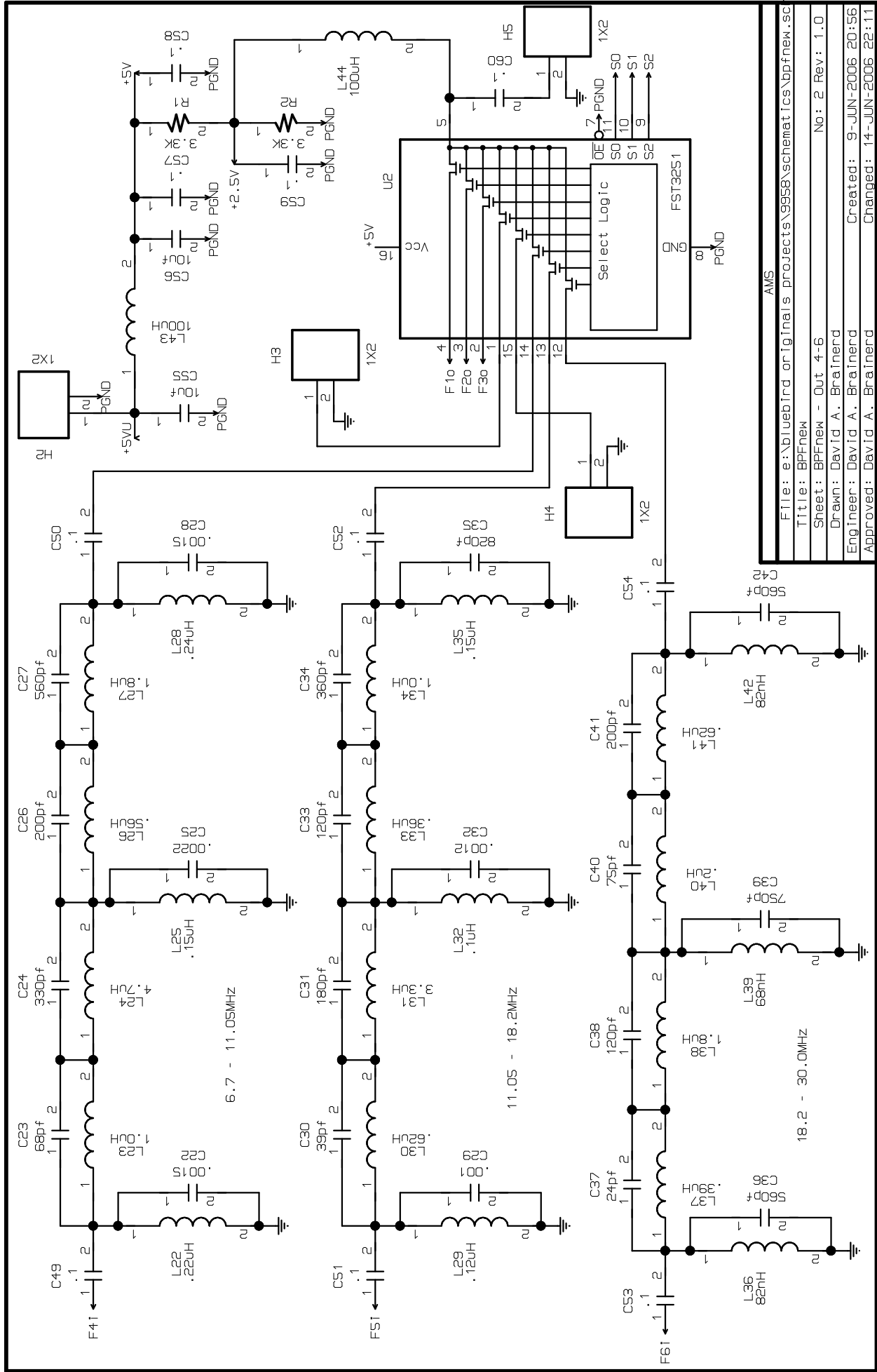
Approved: David A. Brainerd Changed: 14-DEC-2005 19:25



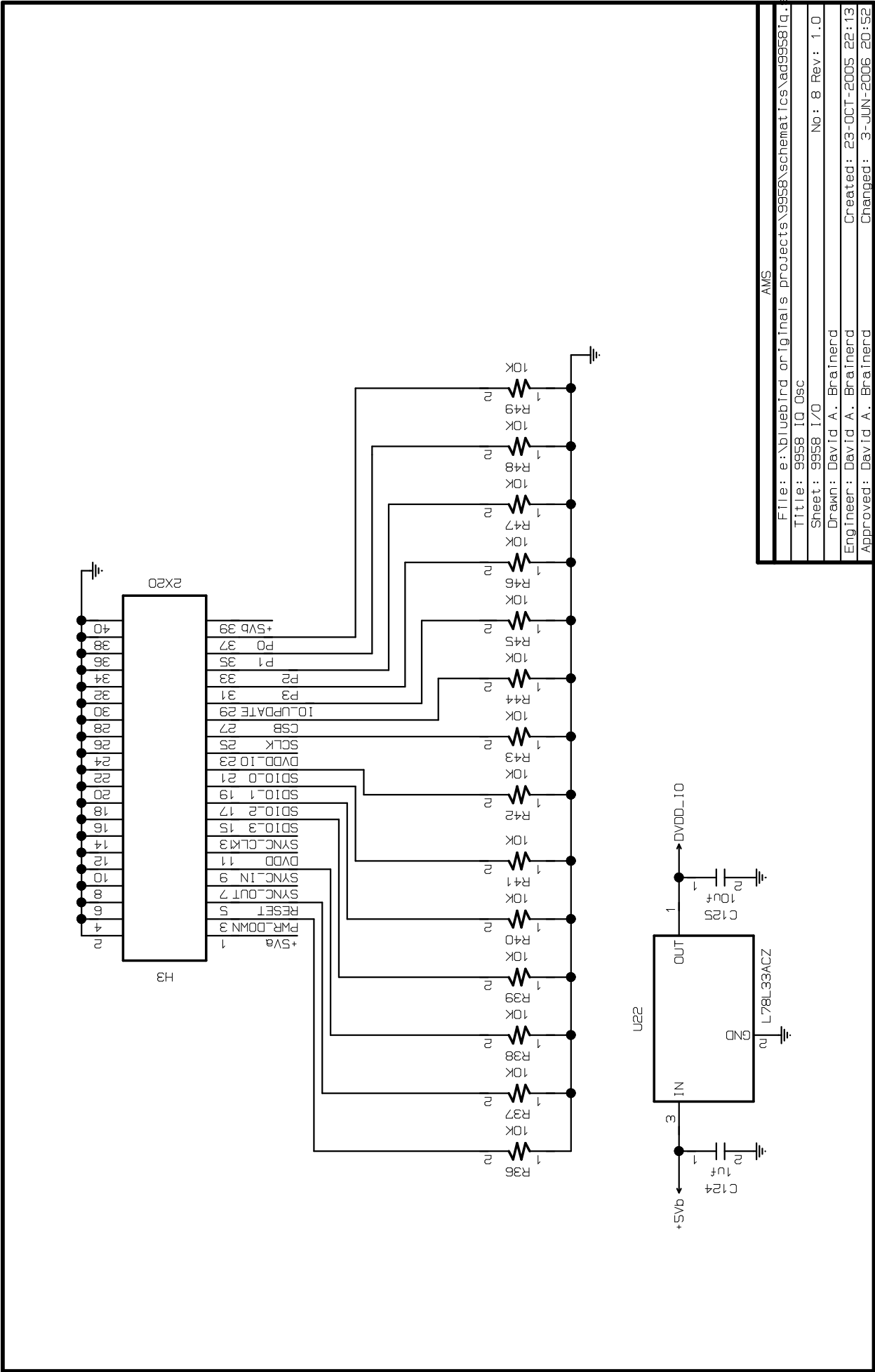
AMS
File: e:\bluebird_originals_projects\9958\schematics\ad9958Iq.sch
Title: 9958 IQ Osc
Sheet: Power Supply
Drawn: David A. BraInerd
Engineer: David A. BraInerd
Approved: David A. BraInerd
No: 6 Rev: 1.0
Created: 23-OCT-2005 22:13
Changed: 14-DEC-2005 18:45



AMS
 File: e:\bluebird_originals_projects\9958\schematics\bpfnw.sc
 Title: BPFnew
 Sheet: BPFnew - IN 1-3
 No: 1 Rev: 1.0
 Drawn: David A. Brainerd
 Eng Ineer: David A. Brainerd
 Created: 9-JUN-2006 20:56
 Approved: David A. Brainerd
 Changed: 26-JUN-2006 11:18



AMS
File: e:\bluebird_originals_projects\9958\schematics\bpfnw.sc
Title: BPFnew
Sheet: BPFnew - Out 4-6
Drawn: David A. Brainerd
Eng Ineer: David A. Brainerd
Approved: David A. Brainerd
No: 2 Rev: 1.0
Created: 9-JUN-2006 20:56
Changed: 14-JUN-2006 22:11



AMS

File: e:\bluebird_originals_projects\9958\schematics\ad9958Iq.sch

Title: 9958 IQ Osc

Sheet: 9958 I/O

Drawn: David A. Brainerd

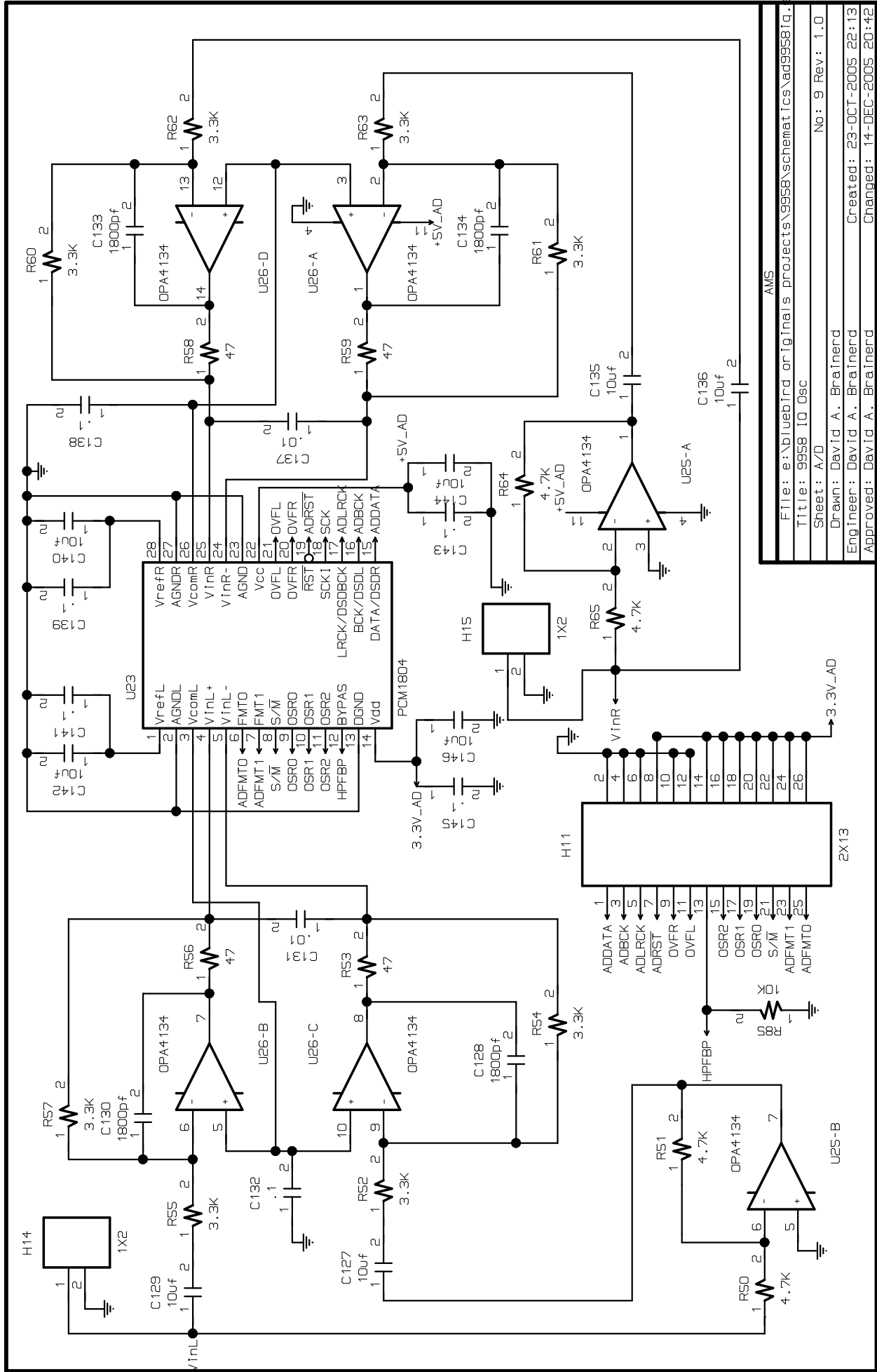
Engineer: David A. Brainerd

Approved: David A. Brainerd

No: 8 Rev: 1.0

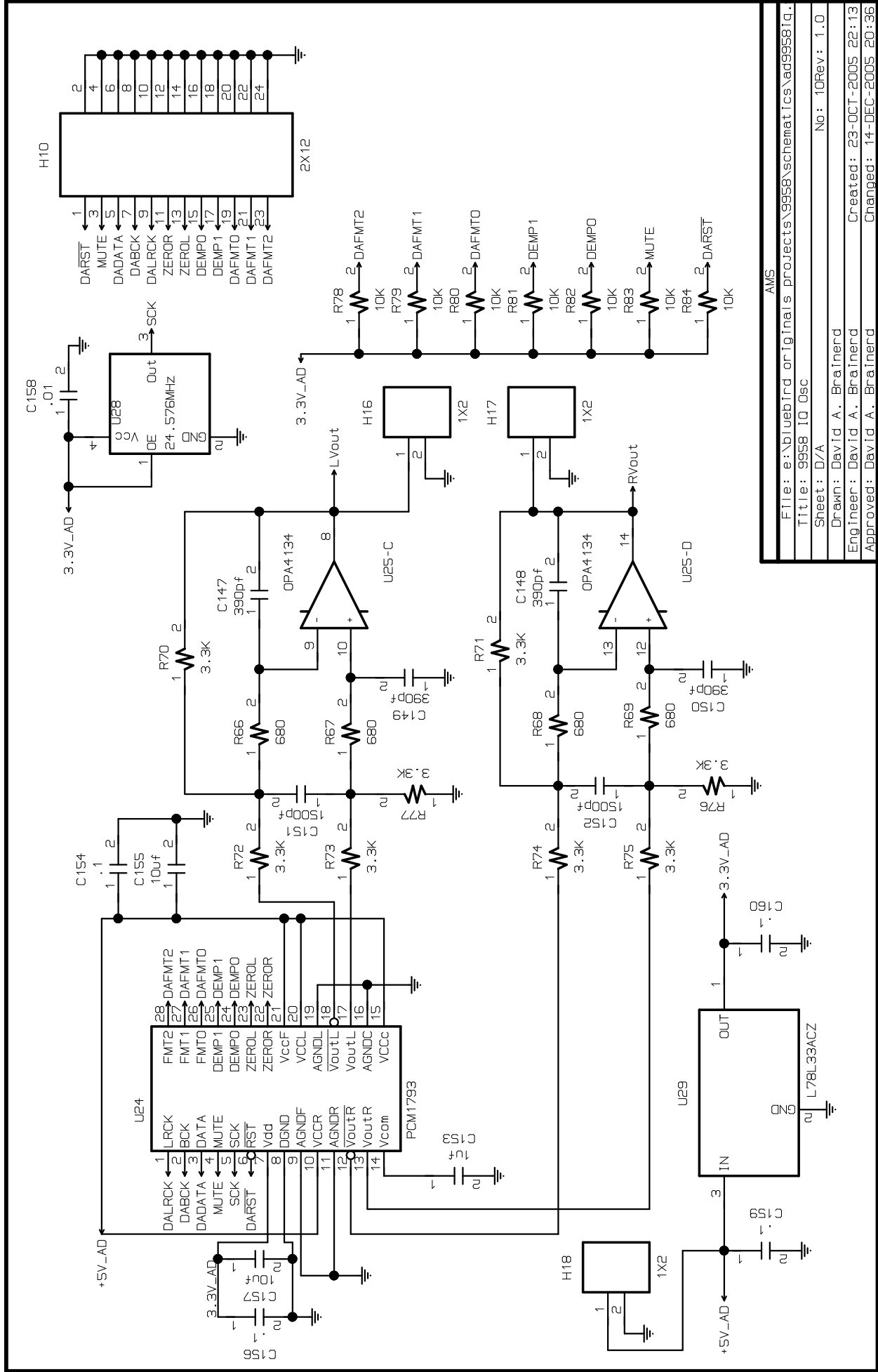
Created: 23-OCT-2005 22:13

Changed: 3-JUN-2006 20:52



AMS
 File: e:\bluebird_originals_projects\9958\schematics\ad9958iq.sch
 Title: 9958 IQ Osc
 Sheet: A/D
 No: 9 Rev: 1.0
 Drawn: David A. Brainerd
 Eng Ineer: David A. Brainerd
 Created: 23-OCT-2005 22:13
 Approved: David A. Brainerd
 Changed: 14-DEC-2005 20:42

U25-B



AMS	
File: e:\bluebird_originals_projects\9958\schematics\ad9958Iq.sch	
Title: 9958 IQ Osc	Sheet: D/A
Drawn: David A. Brainerd	No: 10Rev: 1.0
Engineer: David A. Brainerd	Created: 23-OCT-2005 22:13
Approved: David A. Brainerd	Changed: 14-DEC-2005 20:36