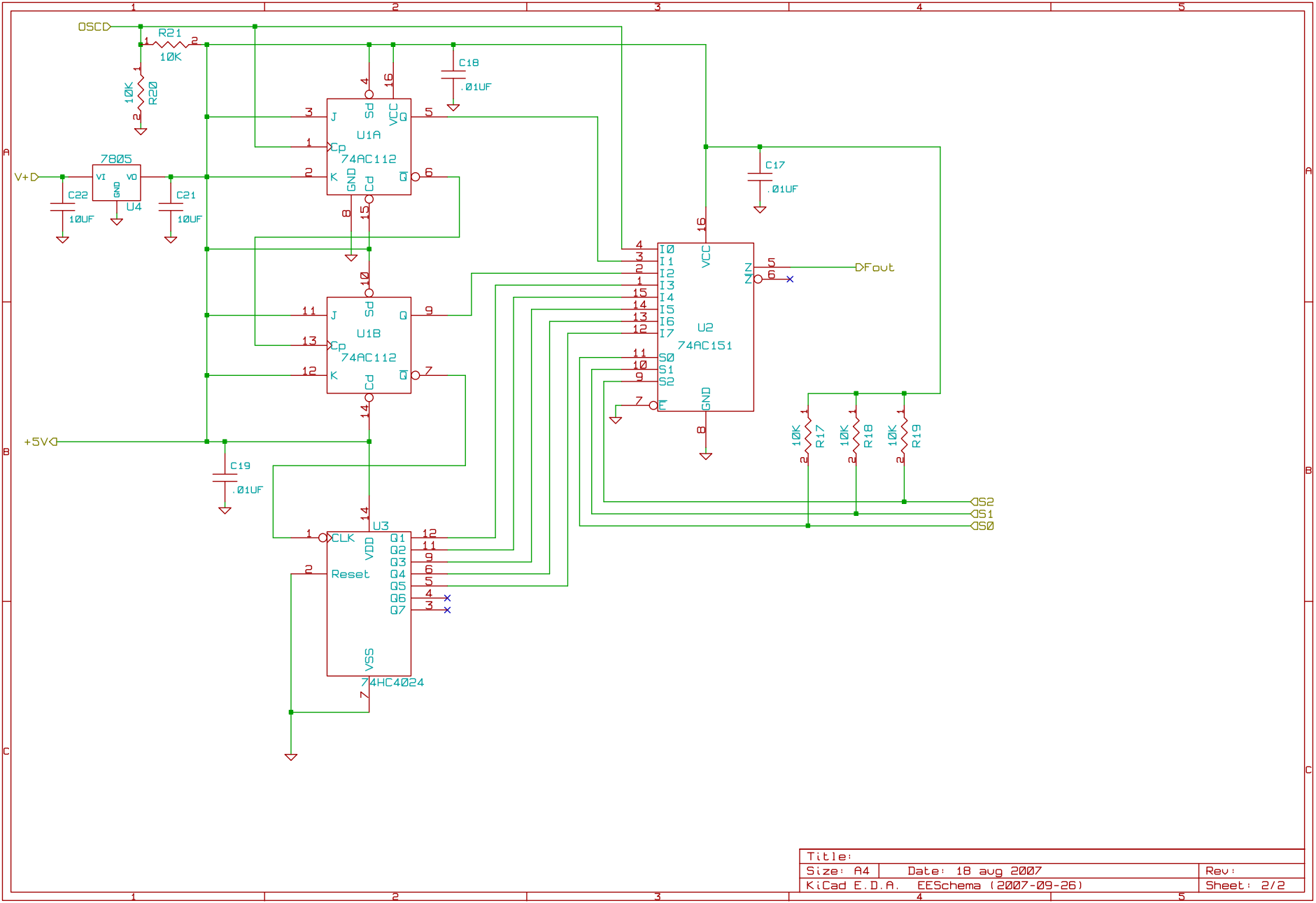


WB6DHW	
Title: Synthesizer	
Size: B	Date: 18 aug 2007
KiCad E.D.A.	EEScheme (2007-09-26)
Rev:	Sheet: 1/2

Sheet: Fselect  
 V+  
 3+5V  
 OSC  
 FoutC  
 S0  
 S1  
 S2  
 File: vcofse1.sch



Title:		
Size: A4	Date: 18 aug 2007	Rev:
KiCad E. D. A. EESchema (2007-09-26)		Sheet: 2/2